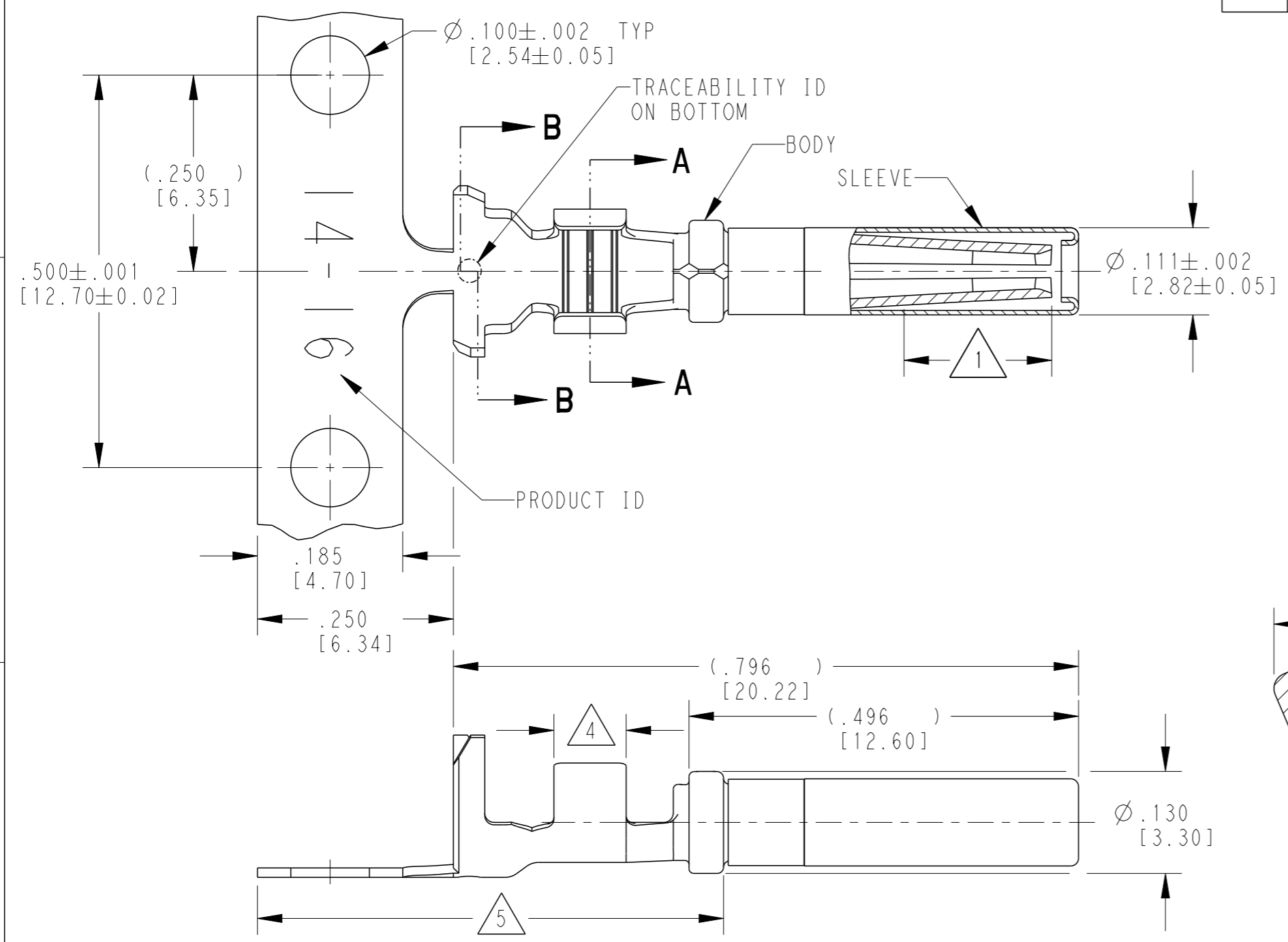
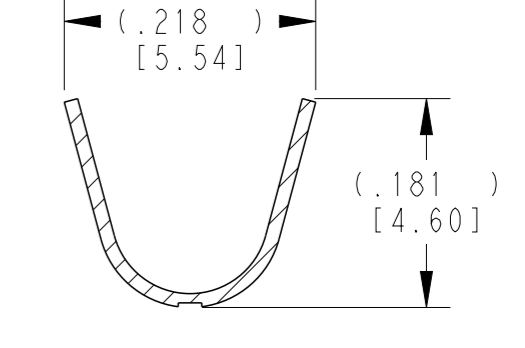
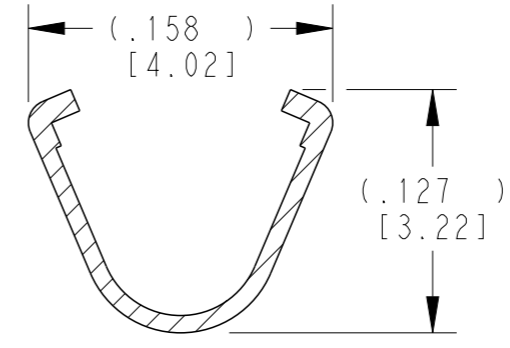
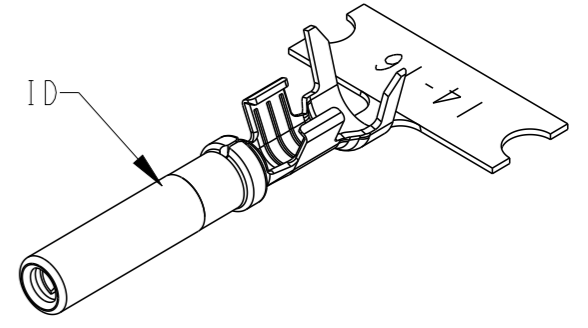


THIS DRAWING IS UNPUBLISHED
 RELEASED FOR PUBLICATION 2020
 © COPYRIGHT 2020 BY TE CONNECTIVITY ALL RIGHTS RESERVED.

| LOC | DIST | REVISIONS | | | |
|-----|------|-----------------------------|-----------|-----|------|
| P | LTR | DESCRIPTION | DATE | DWN | APVD |
| | F | REVISED PER ECO-15-007761 | 28MAY2015 | RL | DM |
| | G | REVISED PER PCN E-20-008101 | 12JUN2020 | DM | DM |
| | G1 | REVISED PER PCN-22-157823 | 12OCT2022 | SP | DM |



OPTIONAL TRACEABILITY ID LOCATED ON DIAMETER



5 TIN PLATING MAY BE IN THIS REGION.

4 TIN PLATED REGION.

3 MATERIAL:
 BODY: .012 [0.30] THICK COPPER ALLOY
 SLEEVE: STAINLESS STEEL

2. WIRE RANGE: 18 AWG TO 14 AWG [0.75-2.0 mm²]
 INSULATION RANGE: Ø .095-.150 [Ø 2.41-3.81]

1 GOLD PLATED REGION.

NOTES: UNLESS OTHERWISE SPECIFIED

| TE INTERNAL PN | DEUTSCH PN | PLATING |
|----------------|--------------|---|
| 1062-14-0122 | 1062-14-0122 | Ni/Cu overall, Sn/Ni/Cu Wire Barrel |
| 1062-14-0144 | 1062-14-0144 | Selective Au, Ni/Cu overall, Sn/Ni/Cu Wire Barrel |
| 1062-14-0177 | 1062-14-0177 | Sn/Ni/Cu overall |

| | | | | |
|--|--|-------------------------------|--|---------------------------|
| THIS DRAWING IS A CONTROLLED DOCUMENT. | | DWN M. BLUM 04NOV1999 | TE TE Connectivity | |
| DIMENSIONS: INCHES [mm] | | CHK VLADIMIR TOMSA 04DEC2000 | | |
| TOLERANCES UNLESS OTHERWISE SPECIFIED: | | APVD R. REED 08DEC2000 | NAME SOCKET, STAMPED AND FORMED SIZE 16 14-18AWG | |
| 0 PLC ± | | PRODUCT SPEC 108-151000 | SIZE A3 | |
| 1 PLC ± | | APPLICATION SPEC 114-151000 | CAGE CODE 4AFU8 | DRAWING NO C=1062-14-01XX |
| 2 PLC ± | | WEIGHT 0.44 g | RESTRICTED TO - | |
| 3 PLC ±0.025 [0.64] | | Customer Drawing | | |
| 4 PLC ± | | SCALE 6:1 SHEET 1 OF 1 REV G1 | | |
| ANGLES ± | | | | |
| FINISH SEE TABLE | | | | |