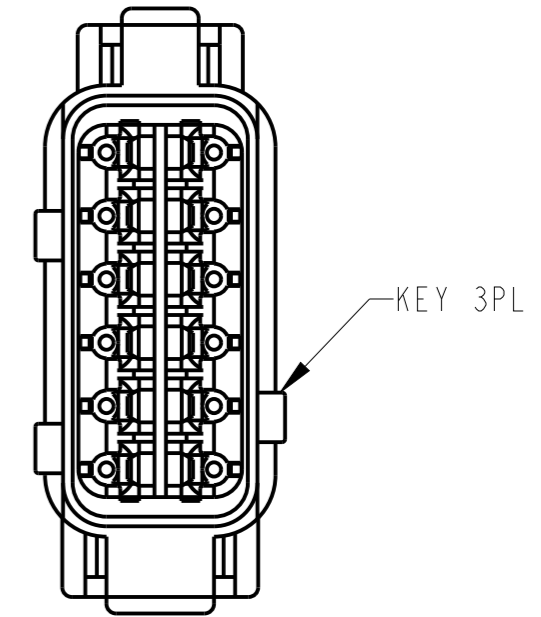
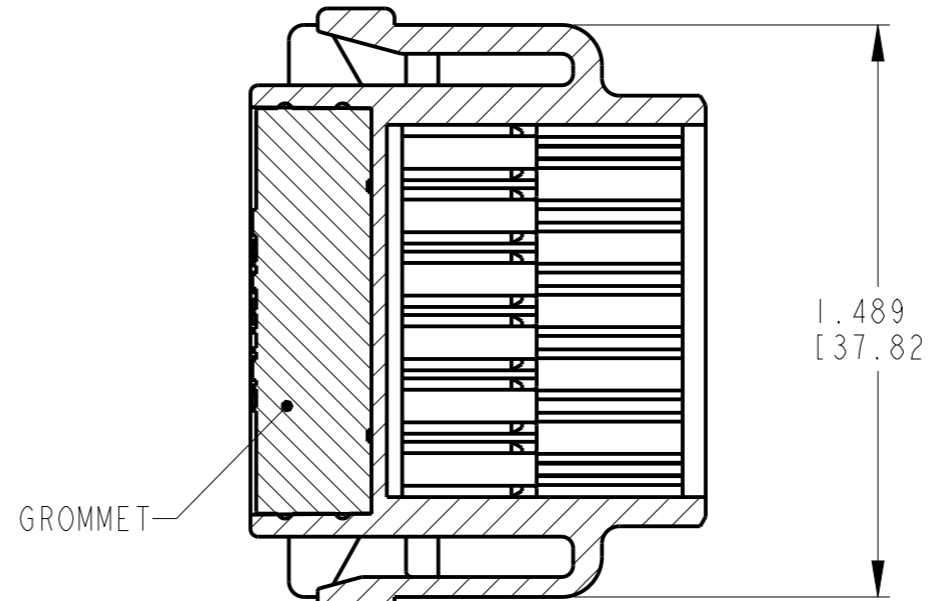
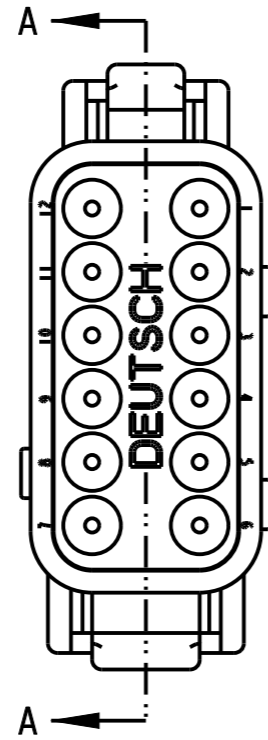
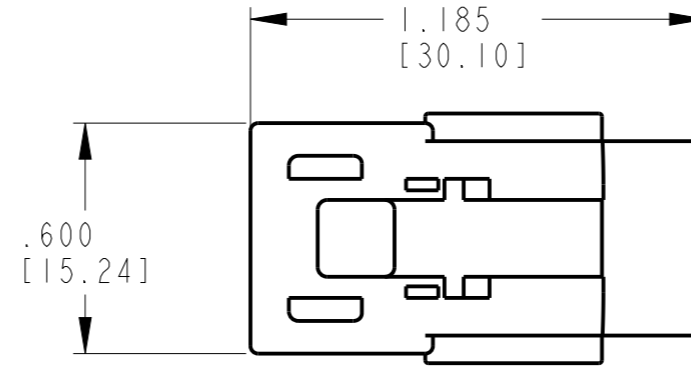
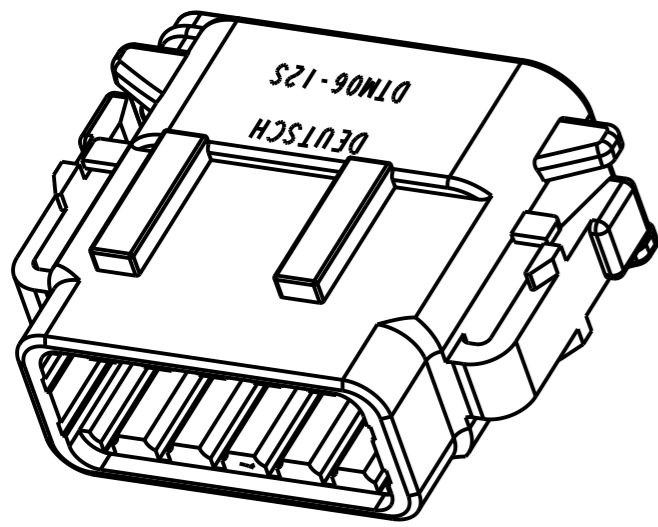


P	LTR	DESCRIPTION	DATE	DWN	APVD
	NC	NEW RELEASE PER E.O. P17240	19APR2001	JA	RDR
	A	REVISED PER E-21-005400	12MAY2021	MR	IG



7. SEE SHEET 2 FOR OTHER KEY ARRANGEMENTS.

6 MATERIAL:  
HOUSING: PA66 GF15  
GROMMET: VMQ (BURNT RED)

5. THIS PLUG MATES WITH DTM04-12PX-XXXX RECEPTACLE.  
(X = A,B,C,D KEYS; XXXX = ALL MODIFICATION)

4 FOR CONTACT AND WIRE PERFORMANCE AND APPLICATION CHARACTERISTICS SEE ENVELOPE DRAWING 0425-015-0000.

3. SECONDARY WEDGE LOCK SOLD SEPARATELY: WM-12S.

2. DELETED.

1. DELETED.

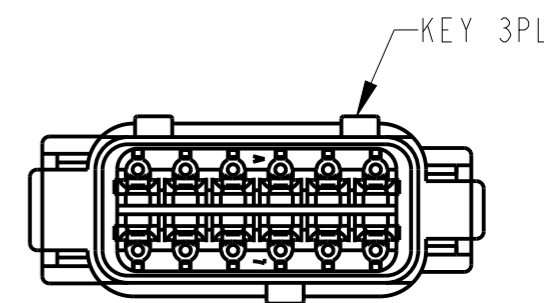
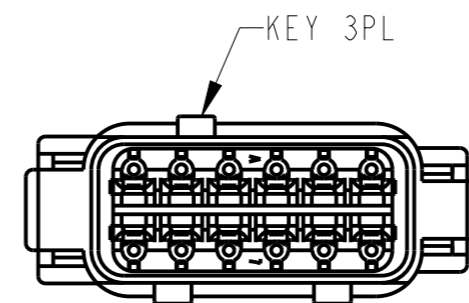
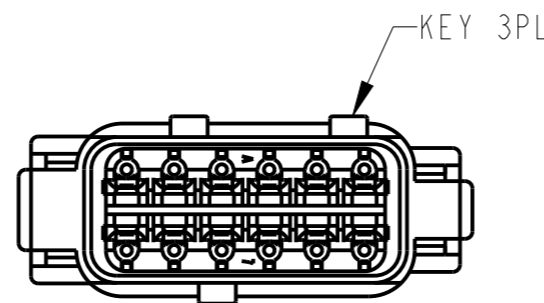
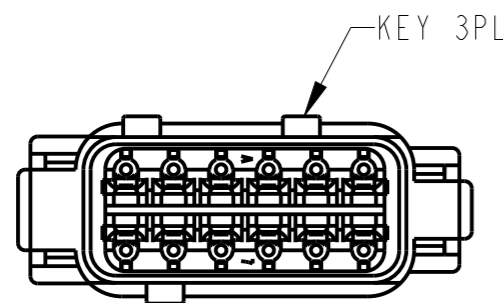
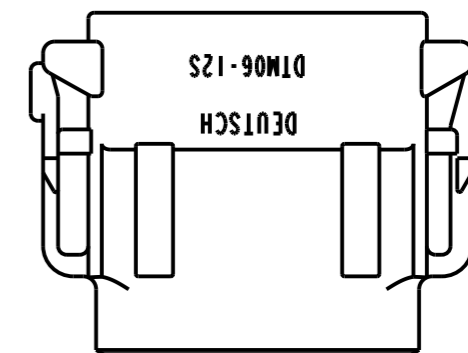
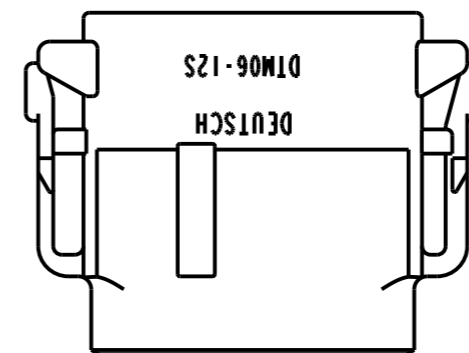
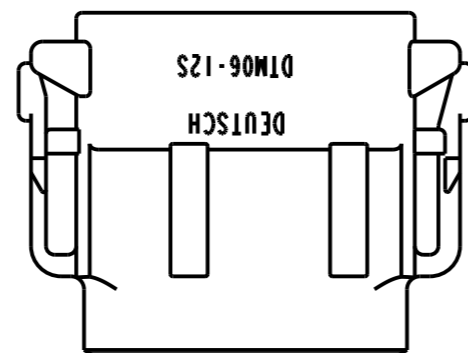
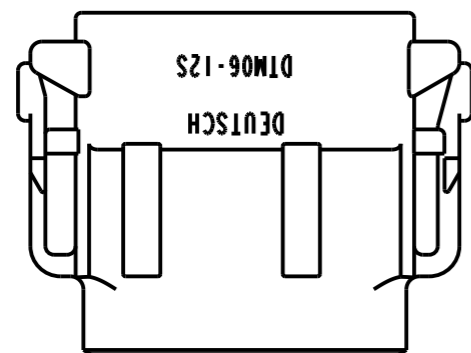
NOTES: UNLESS OTHERWISE SPECIFIED

CONTACT SIZE	MIN. INSUL. O.D.	MAX. INSUL. O.D.	WIRE RANGE [mm <sup>2</sup> ] REF ONLY
20	.053 [1.35]	.120 [3.05]	16-22 AWG [1.0-0.5]

THIS DRAWING IS A CONTROLLED DOCUMENT.		DWN A. APOSTOL 17APR2001			
DIMENSIONS: INCHES [mm]		CHK D. MEYER 18APR2001			
TOLERANCES UNLESS OTHERWISE SPECIFIED:		APVD R. REED 19APR2001	NAME PLUG 12 CONTACTS, SIZE 20 A,B,C,D KEYS DTM SERIES		
0 PLC ± 1 PLC ± 2 PLC ± 3 PLC ±.025 [0.64] 4 PLC ± ANGLES ±0°30'0"		PRODUCT SPEC 108-151010	SIZE A3	CAGE CODE 00779	DRAWING NO C=DTM06-12SX
MATERIAL 6	FINISH N/A	APPLICATION SPEC 114-151010	RESTRICTED TO		
		WEIGHT 12 g	SCALE 2:1	SHEET 1 OF 2	REV A
		CUSTOMER DRAWING			

REVISIONS

P	LTR	DESCRIPTION	DATE	DWN	APVD
-		SEE SHEET 1	-	-	-



DTM06-12SA  
KEY -A-  
COLOR: GREY

DTM06-12SB  
KEY -B-  
COLOR: BLACK

DTM06-12SC  
KEY -C-  
COLOR: GREEN

DTM06-12SD  
KEY -D-  
COLOR: BROWN

THIS DRAWING IS A CONTROLLED DOCUMENT.		DWN A. APOSTOL 17APR2001	TE Connectivity		
DIMENSIONS: INCHES [mm]		CHK D. MEYER 18APR2001			
		APVD R. REED 19APR2001	NAME PLUG 12 CONTACTS, SIZE 20 A,B,C,D KEYS DTM SERIES		
TOLERANCES UNLESS OTHERWISE SPECIFIED:		PRODUCT SPEC 108-151010	RESTRICTED TO		
0 PLC ± 1 PLC ± 2 PLC ± 3 PLC ±.025 [0.64] 4 PLC ± ANGLES ±0°30'0"		APPLICATION SPEC 114-151010	SIZE A3	CAGE CODE 00779	DRAWING NO DTM06-12SX
MATERIAL 	FINISH N/A	WEIGHT 12 g	SCALE 3:2		
		CUSTOMER DRAWING	SHEET 2 OF 2	REV A	