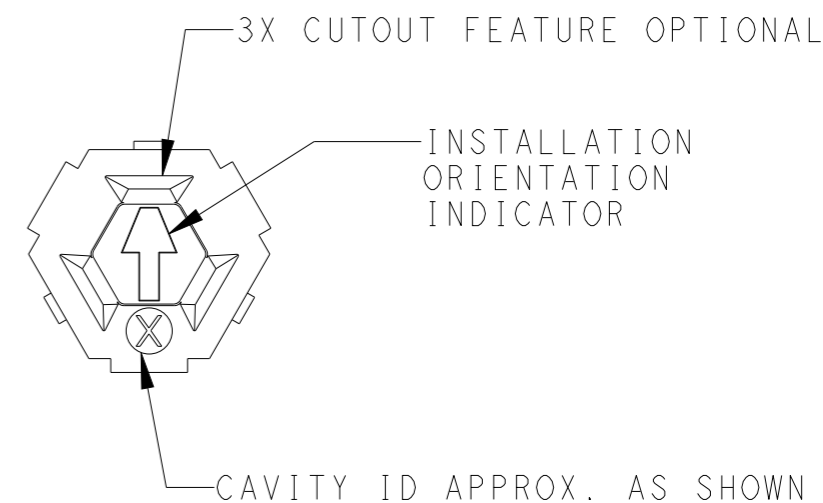
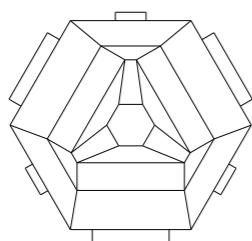
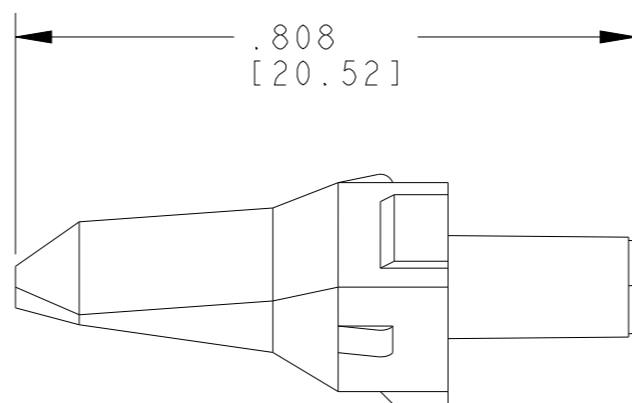
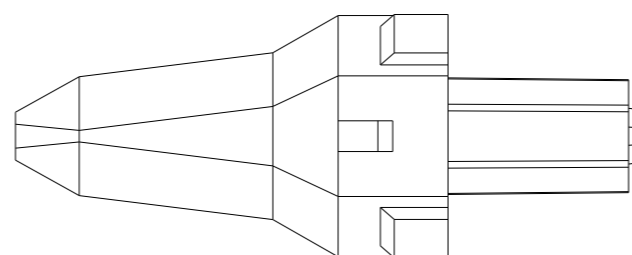
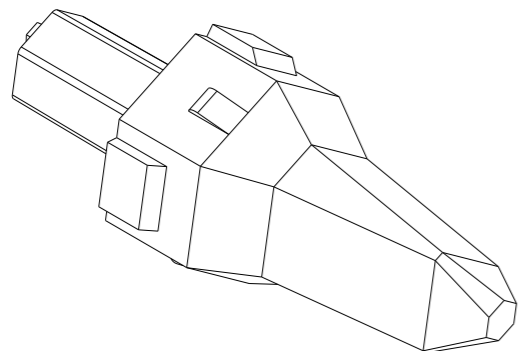


THIS DRAWING IS UNPUBLISHED. RELEASED FOR PUBLICATION 2014

© COPYRIGHT 2014 BY -TE CONNECTIVITY ALL RIGHTS RESERVED.

LOC		DIST		REVISIONS			
P	LTR	DESCRIPTION	DATE	DWN	APVD		
-	-	B	REVISD PER E.O P15222	12FEB1997	-	RDR	
		C	REVISD PER E.O P15887	15FEB1999	-	RDR	
		C1	REVISD PER E.O-15-000356	08JAN2015	PS	DM	
		C2	REVISD PER PCN-22-149876	12DEC2022	AP	IG	



1. USED WITH DT04-3P-XXXX (XXXX= ALL MODIFICATIONS)
 CONSULT FACTORY FOR MODIFICATION AND APPLICATION.

NOTES:

THIS DRAWING IS A CONTROLLED DOCUMENT.		DWN A.LEE	04FEB1999														
DIMENSIONS: INCHES [mm]		CHK S.THEIS	08FEB1999														
TOLERANCES UNLESS OTHERWISE SPECIFIED:		APVD S.THEIS	08FEB1999	NAME WEDGE LOCK 3 WAY RECEPTACLE DT SERIES													
<table border="0"> <tr><td>0 PLC</td><td>±-</td></tr> <tr><td>1 PLC</td><td>±-</td></tr> <tr><td>2 PLC</td><td>±-</td></tr> <tr><td>3 PLC</td><td>±0.20 [0.51]</td></tr> <tr><td>4 PLC</td><td>±-</td></tr> <tr><td>ANGLES</td><td>±0°30'0"</td></tr> </table>		0 PLC	±-	1 PLC	±-	2 PLC	±-	3 PLC	±0.20 [0.51]	4 PLC	±-	ANGLES	±0°30'0"	PRODUCT SPEC		SIZE	
0 PLC	±-																
1 PLC	±-																
2 PLC	±-																
3 PLC	±0.20 [0.51]																
4 PLC	±-																
ANGLES	±0°30'0"																
MATERIAL PBT30%GF GREEN		APPLICATION SPEC		CAGE CODE													
FINISH		WEIGHT 0.53g		DRAWING NO A34AFU8C-W3P													
		CUSTOMER DRAWING		RESTRICTED TO													
		SCALE 4:1		SHEET 1 OF 1													
				REV C2													