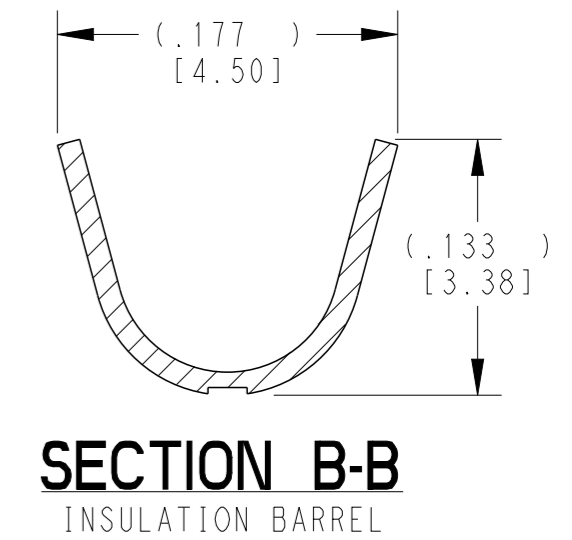
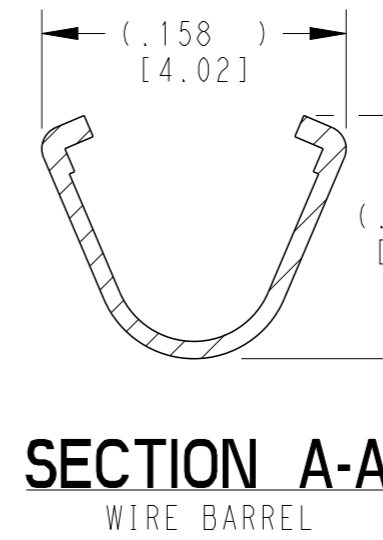
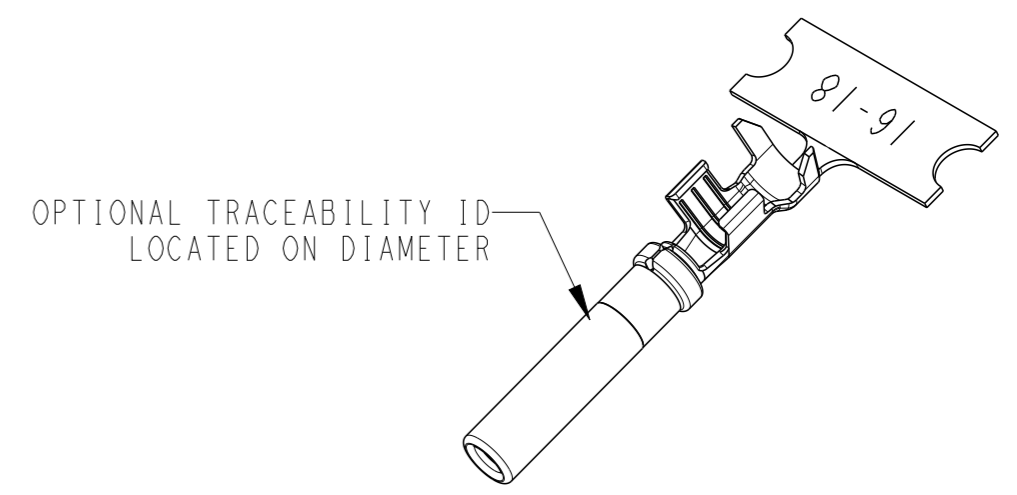
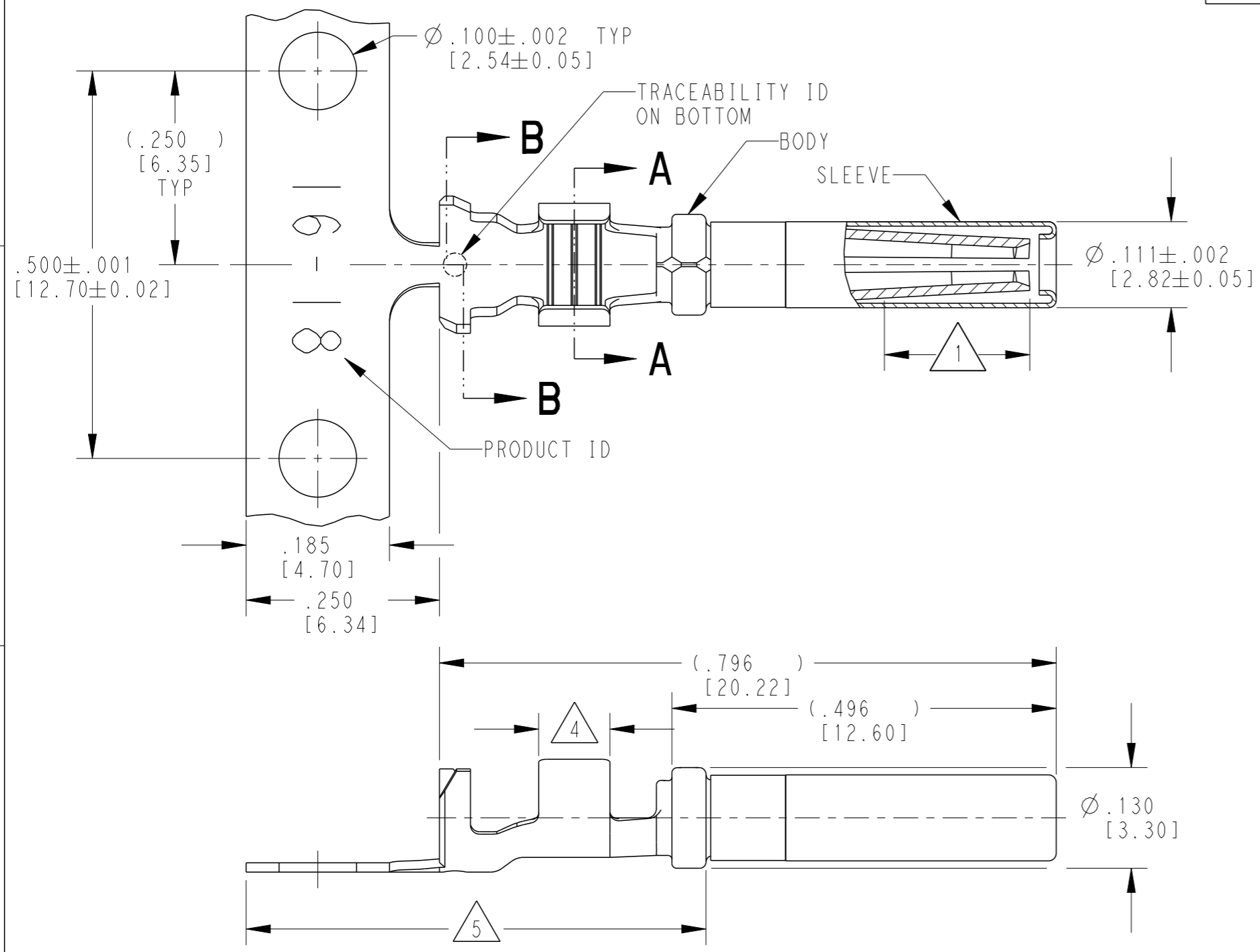


THIS DRAWING IS UNPUBLISHED
 RELEASED FOR PUBLICATION 2015
 © COPYRIGHT 1999 BY TE CONNECTIVITY ALL RIGHTS RESERVED.

LOC	DIST	REVISIONS			
P	LTR	DESCRIPTION	DATE	DWN	APVD
	J	REVISED PER ECO-15-007761	28MAY2015	RL	DM
	K	REVISED PER PCN E-20-008101	12JUN2020	DM	DM
	K1	REVISED PER PCN-22-157823	12OCT2022	SP	DM



5 TIN PLATING MAY BE IN THIS REGION.

4 TIN PLATED REGION.

3 MATERIAL:
 BODY: .012 [0.30] THICK COPPER ALLOY
 SLEEVE: STAINLESS STEEL

2. WIRE RANGE: 18 AWG TO 14 AWG [0.75-2.0 mm²]
 INSULATION RANGE: Ø .075-.140 [Ø 1.91-3.56]

1 GOLD PLATED REGION.

NOTES: UNLESS OTHERWISE SPECIFIED

TE INTERNAL PN	DEUTSCH PN	PLATING
1062-16-0122	1062-16-0122	Ni/Cu overall, Sn/Ni/Cu Wire Barrel
1062-16-0144	1062-16-0144	Selective Au, Ni/Cu overall, Sn/Ni/Cu Wire Barrel
1062-16-0177	1062-16-0177	Sn/Ni/Cu overall

THIS DRAWING IS A CONTROLLED DOCUMENT.

DWN M. BLUM	03NOV1999	STE TE Connectivity	NAME SOCKET, STAMPED AND FORMED SIZE 16 14-18AWG
CHK A. ROLINSKI	08DEC2000		
APVD R. REED	08DEC2000		
PRODUCT SPEC 108-151000			
MATERIAL 3	FINISH SEE TABLE	APPLICATION SPEC 114-151000	RESTRICTED TO -
Customer Drawing		WEIGHT 0.43 g	SIZE A3
		DRAWING NO C=1062-16-01XX	CAGE CODE 4AFU8
		SCALE 6:1	SHEET 1 OF 1
		REV K1	