

LOC	DIST	REVISIONS			
P	LTN	DESCRIPTION	DATE	DWN	APVD
B1		REVISED PER PCN E-18-013976	03SEP2018	SS	DM
B2		REVISED PER PCN E-19-004598	15MAR2019	DD	DM
C		REVISED PER PCN E-19-014633	24APR2019	NS	RM
C1		REVISED PER PCN-23-187402	19SEP2023	OD	IG

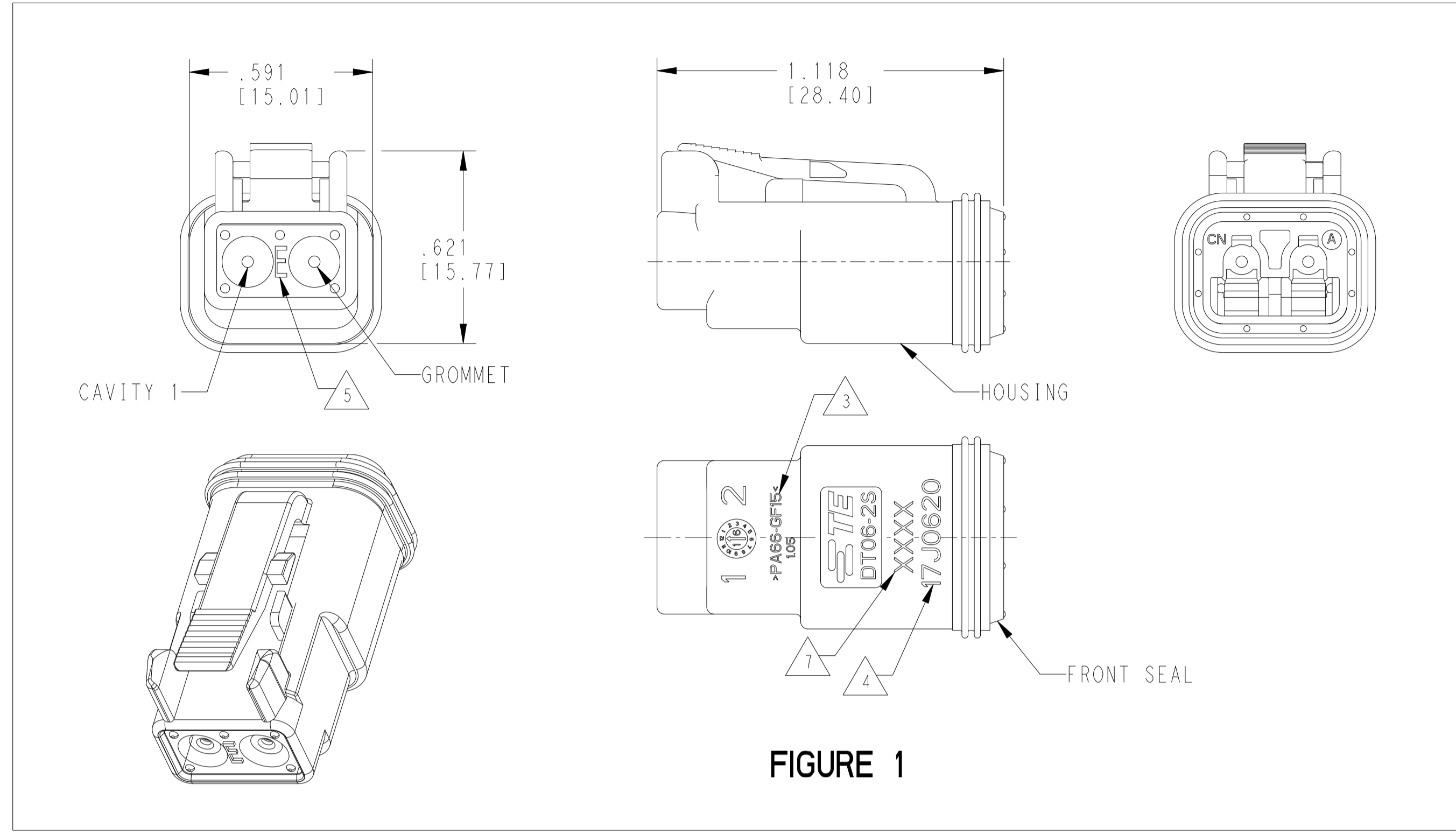


FIGURE 1

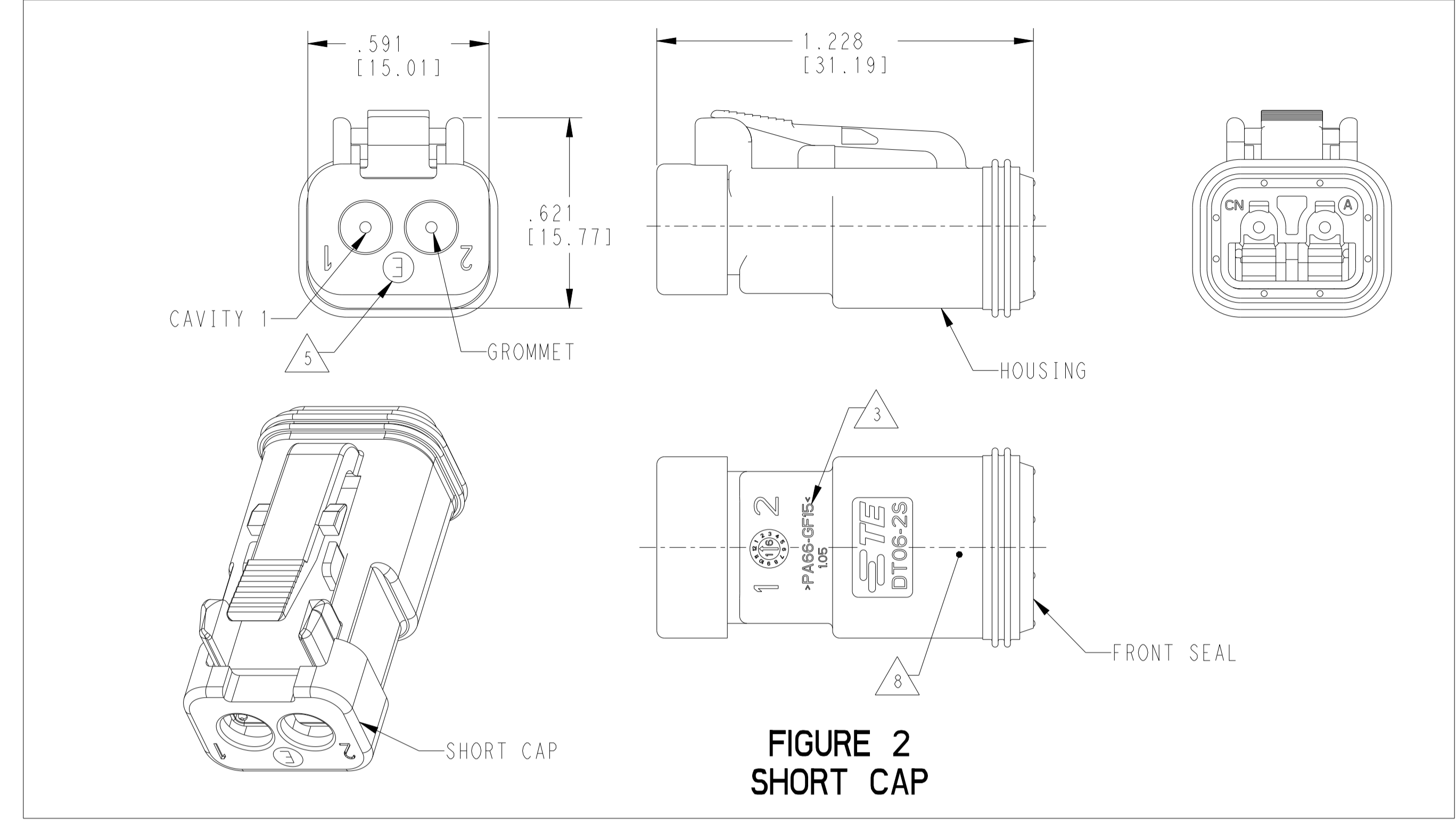


FIGURE 2
SHORT CAP

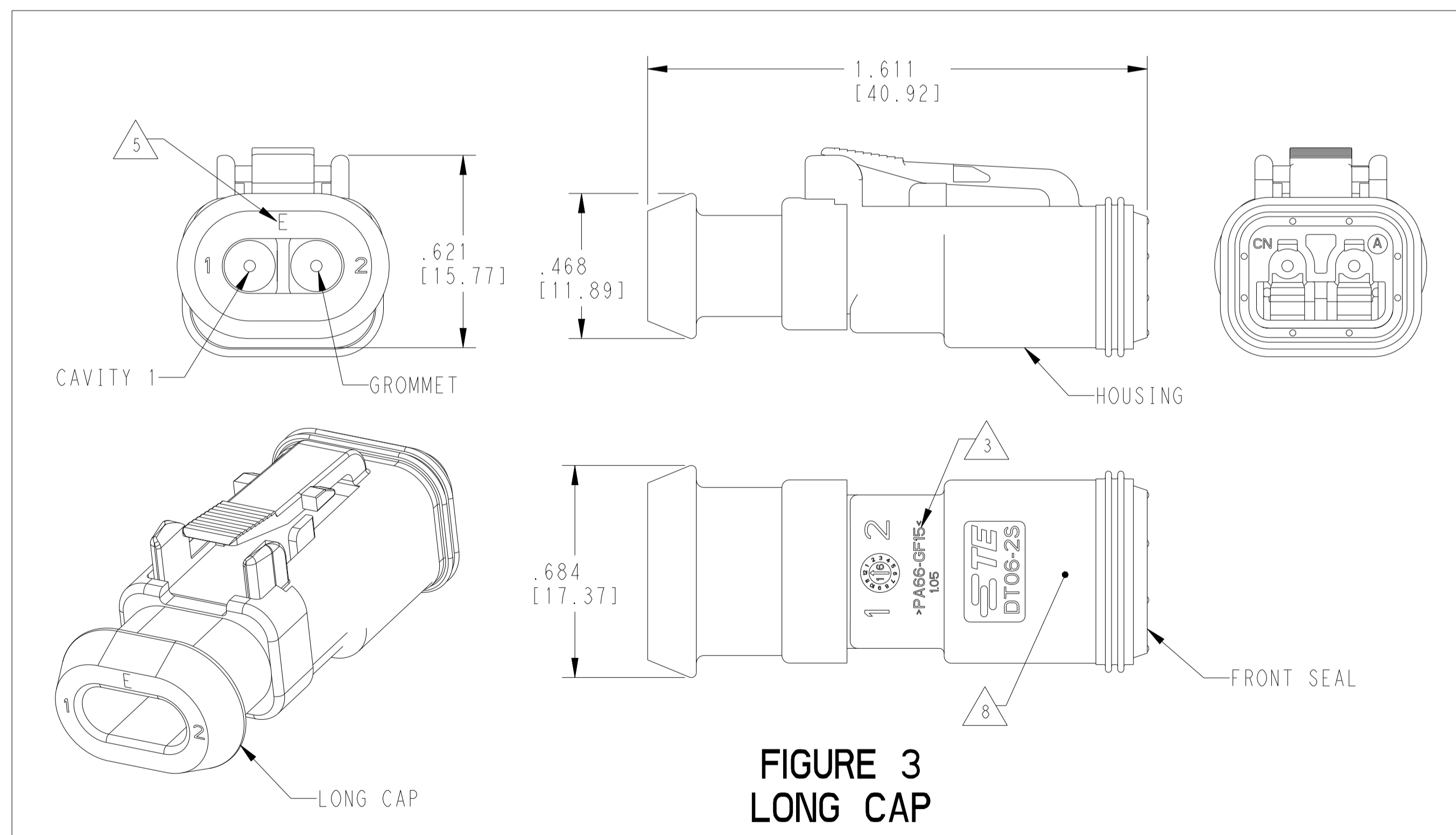


FIGURE 3
LONG CAP

CONTACT SIZE	WIRE RANGE	INSULATION OD SEALING RANGE	SEAL IDENTIFICATION
16	14-20 AWG [2.5-0.5mm ²]	.088-.145 [2.23-3.68]	STANDARD SEAL
		.053-.120 [1.35-3.05]	EXTRA THIN SEAL E-SEAL

TE INTERNAL PART NUMBER	DEUTSCH PART NUMBER	PN REV	COLOR	STANDARD SEAL GROMMET	EXTRA THIN SEAL E-SEAL GROMMET	SHORT CAP	LONG CAP	FIGURE
DT06-2S	DT06-2S	A	GREY	X				1
DT06-2S-C015	DT06-2S-C015	F	GREY		X			1
DT06-2S-CE01	DT06-2S-CE01	D	GREY		X	X		2
DT06-2S-CE03	DT06-2S-CE03	B	BLACK		X			2
DT06-2S-CE04	DT06-2S-CE04	B	GREY		X		X	3
DT06-2S-CE05	DT06-2S-CE05	B	BLACK		X	X		2
DT06-2S-CE06	DT06-2S-CE06	B	BLACK		X			1
DT06-2S-CE13	DT06-2S-CE13	B	BLACK		X		X	3
DT06-2S-E003	DT06-2S-E003	A	GREY	X			X	2
DT06-2S-E004	DT06-2S-E004	A	BLACK	X				1
DT06-2S-E005	DT06-2S-E005	A	BLACK	X		X		2
DT06-2S-E008	DT06-2S-E008	A	GREY	X			X	3
DT06-2S-EP04	DT06-2S-EP04	B	GREY	X		X		2
DT06-2S-EP06	DT06-2S-EP06	B	BLACK	X		X		2
DT06-2S-EP11	DT06-2S-EP11	A	BLACK	X			X	3
DT06-2S-P004	DT06-2S-P004	A	GREY	X				1
DT06-2S-P012	DT06-2S-P012	A	BLACK	X				1
1-2448100-1	DT06-2S-TE09	A	BROWN		X			1
1-2448100-2	DT06-2S-TE03	A	GREEN		X			1
1-2448100-3	DT06-2S-TE07	A	BLUE		X			1
2-2448100-1	DT06-2S-TN09	A	BROWN	X				1
2-2448100-2	DT06-2S-TN03	A	GREEN	X				1
2-2448100-3	DT06-2S-TN07	A	BLUE	X				1

3 MATERIAL: HOUSING: PA66 GF15, SEE TABLE FOR COLOR
 SHORT, LONG CAP: PA66 GF15, SEE TABLE FOR COLOR
 GROMMET: E-SEAL VMQ (BURNT RED)
 N-SEAL VMQ (RED-ORANGE)
 FRONT SEAL: VMQ (RED-ORANGE),

2. THIS PLUG MATES WITH DT04-2P-XXXX RECEPTACLE.
 (XXXX = ALL MODIFICATIONS)

1. SECONDARY WEDGE LOCK SOLD SEPARATELY: W2SX-XXXX.
 (X = A,B,C,D KEY, XXXX = ALL MODIFICATIONS)
 W2S OR W2S-P012 MAY BE USED WITH THESE PLUGS,
 W2S-P012 IS RECOMMENDED.

NOTES: UNLESS OTHERWISE SPECIFIED

7 XXXX IDENTIFIES THE MODIFICATION NUMBER,
 IF APPLICABLE. EXAMPLE: "E003" FOR DT06-2S-E003,
 OR BLANK FOR DT06-2S.

6. FOR CONTACTS AND WIRE PERFORMANCE AND APPLICATION
 CHARACTERISTICS SEE CUSTOMER DRAWING 0425-015-0000.

5 "E" IDENTIFIES E-SEAL.

4 DATE CODE: IDENTIFIES THE YEAR, MONTH, DAY AND HOUR OF ASSEMBLY.
 YEAR: FIRST AND SECOND DIGITS. (17 = 2017)
 MONTH: THIRD DIGIT, EXCLUDING I, A = JAN, B = FEB,
 C = MARCH ... (K = OCTOBER)
 DAY: FOURTH AND FIFTH DIGITS (14 = 14th DAY)
 HOUR: SIXTH AND SEVENTH DIGITS (11 = 11AM)

8 ADDITIONAL MARKING PER NOTE 4 AND 7
 EXCLUSIVELY FOR PARTS WITH CAPS PRODUCED
 IN CHINA.

THIS DRAWING IS A CONTROLLED DOCUMENT. DWN: J. APOSTOL 24OCT2016
 CHK: D. MEYER 24OCT2016
 APVD: D. MEYER 24OCT2016

TE Connectivity

2 WAY PLUG, STANDARD SEAL
 EXTRA THIN SEAL SHORT CAP AND
 LONG CAP, DT SERIES

SIZE: 108-151009 APPLICATION SPEC
 CAGE CODE: 114-151009
 WEIGHT: 0.114g

SCALE: 3:1 SHEET 1 OF 1 REV: C1