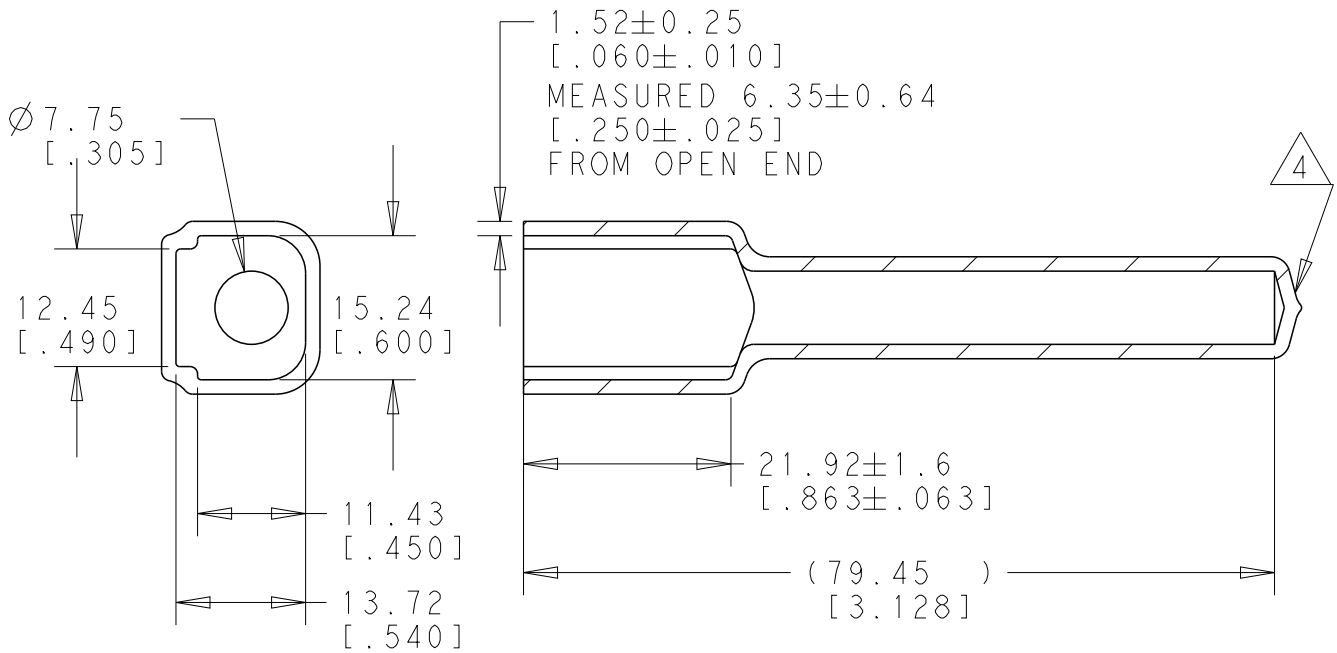
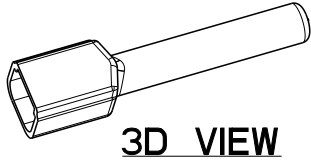


REVISIONS					
P	LTR	DESCRIPTION	DATE	DWN	APVD
	A	NEW RELEASE PER ECO-14-010242	07-07-14	DM	DM
	A1	REVISED PER PCN E-20-003641	24FEB2020	AP	IG



- 5. SMALL NON-FILLS ARE ACCEPTABLE INSIDE OF PART, INCLUDING SUPPLIER MARKING.
- 4. SMALL MATEIRAL EXTENSION IS ACCEPTABLE ON THIS END ALL AROUND. WALL THICKNESS ON THIS END MAY VARY.
- 3. THIS ACCESSORY PART IS PROVIDED WITHOUT TYPICAL TRANSPORTATION INDUSTRY PROCESS CONTROLS. NO VALIDATION TESTING HAS BEEN PERFORMED. CUSTOMER IS RESPONSIBLE FOR DETERMINING PRODUCT PERFORMANCE AND SUITABILITY FOR APPLICATION.
- 2. TEMPERATURE RATING: -29°C TO $+100^{\circ}\text{C}$ [-20°F TO $+212^{\circ}\text{F}$]
- 1. THIS PART IS USED ON DTM04-4P RECEPTACLES WITH ANY MODIFICATION THAT DOES NOT INCLUDE AN END CAP.

TE INTERNAL PN	DEUTSCH PN
DTM4P-BT	DTM4P-BT

2019 RELEASED FOR PUBLICATION ALL RIGHTS RESERVED. THIS DRAWING IS UNPUBLISHED. COPYRIGHT 2019 BY TE CONNECTIVITY

DIMENSIONS: MM [INCHES]	DWN D. MEYER	07JUL2014	MATERIAL	PVC	FINISH	GRAY
	CHK B. MILLIGAN	07JUL2014	TE Connectivity			
TOLERANCES UNLESS OTHERWISE SPECIFIED:	APVD D. MEYER	07JUL2014				
0 PLC ±	PRODUCT SPEC	-	SIZE	CAGE CODE	DRAWING NO	RESTRICTED TO
1 PLC ±			A 4	4AFU8	©-DTM4P-BT	-
2 PLC ±0.63[.025]	APPLICATION SPEC	-	WEIGHT	7.00		
3 PLC ±			CUSTOMER DRAWING			
4 PLC ±			SCALE	5:4	SHEET	1 OF 1
ANGLES ±5°					REV	A1