

REVISIONS				
P	LTN	DESCRIPTION	DATE	APP'D
A		NEW RELEASE PER PCN-21-105391	15SEP2021	RLM IG
A1		RELEASE PER PCN E-21-003453	23MAR2022	RLM IG
A2		REVISED PER PCN-23-187402	19SEP2023	OD IG

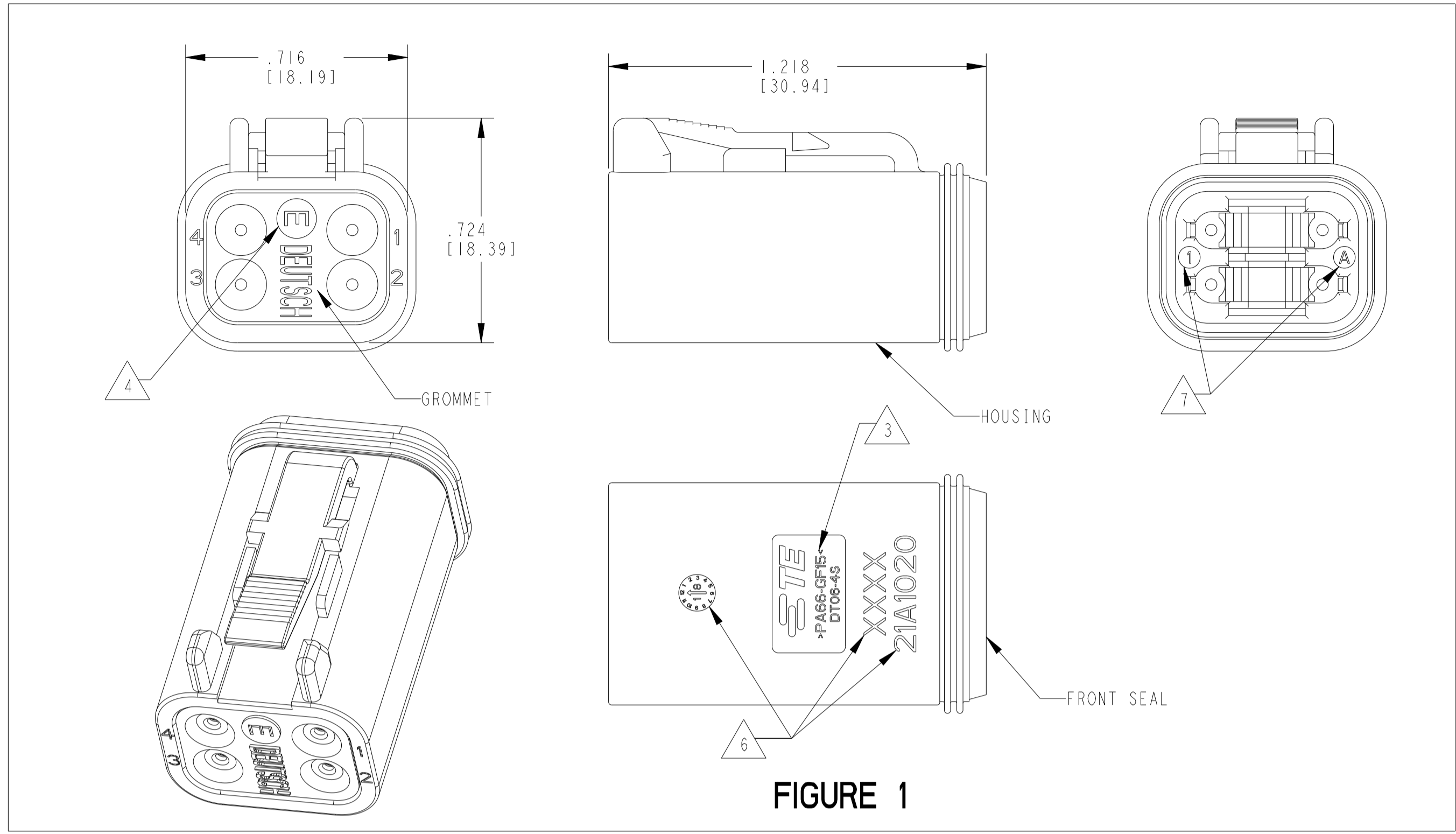


FIGURE 1

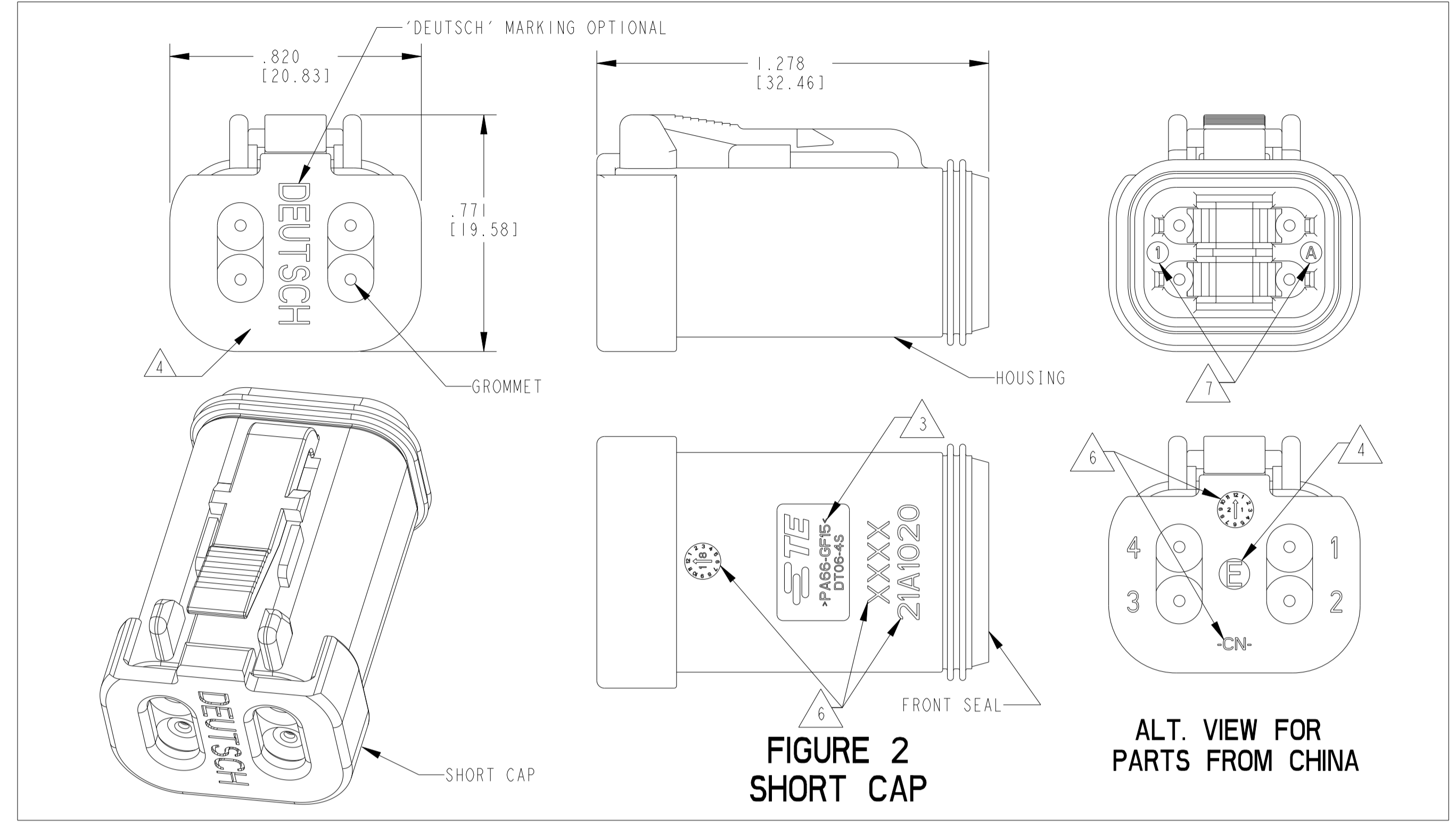


FIGURE 2
SHORT CAP

ALT. VIEW FOR PARTS FROM CHINA

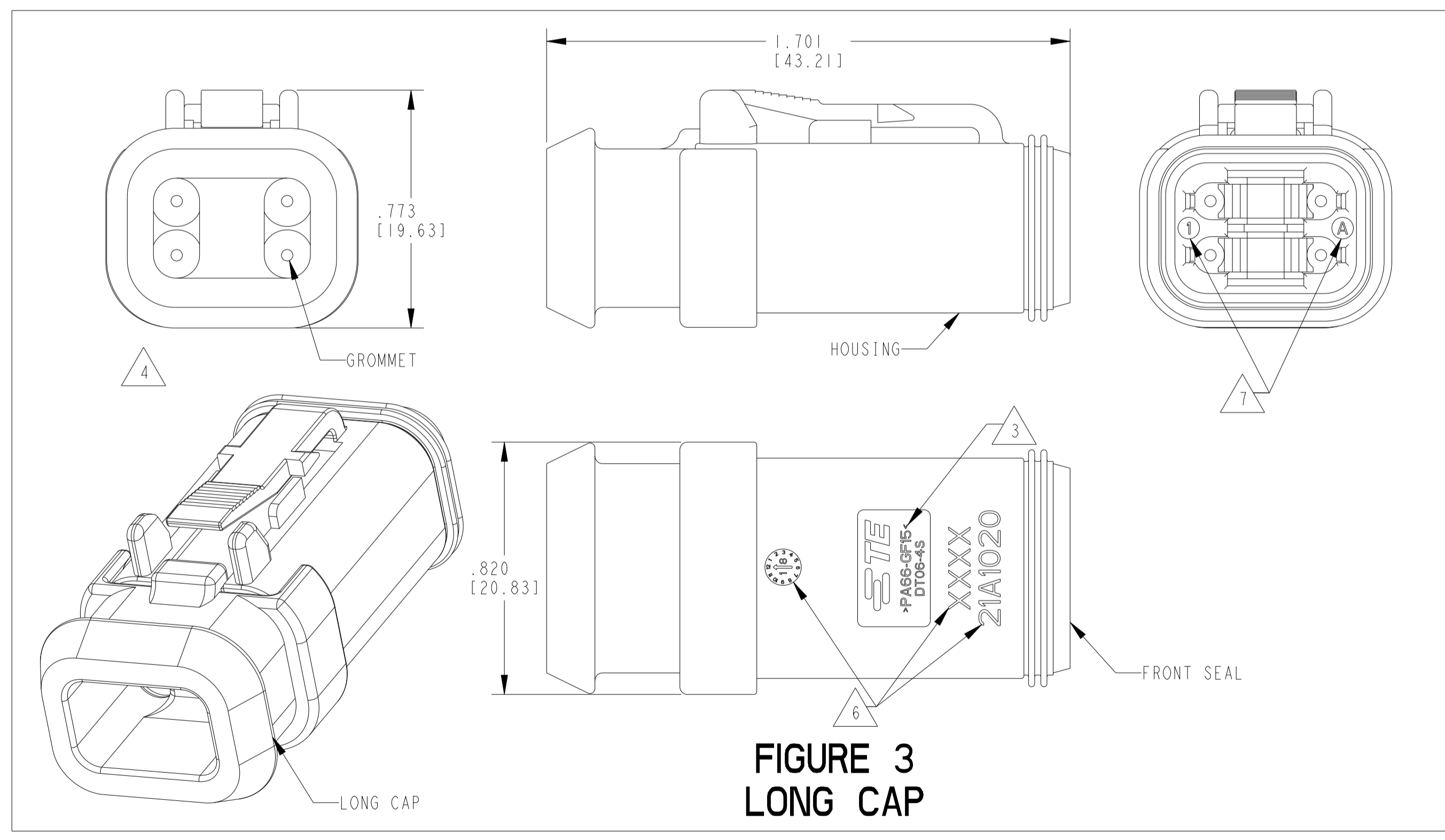


FIGURE 3
LONG CAP

CONTACT SIZE	WIRE RANGE	INSULATION OD SEALING RANGE	SEAL IDENTIFICATION
16	14-20 AWG [2.5-0.5mm ²]	.088 - .145 [2.23-3.68]	STANDARD SEAL
		.053 - .120 [1.35-3.05]	EXTRA THIN SEAL E-SEAL

TE INTERNAL PART NUMBER	DEUTSCH PART NUMBER	PN REV	COLOR	STANDARD SEAL GROMMET	EXTRA THIN SEAL E-SEAL GROMMET	BLOCKED SEAL	SHORT CAP	LONG CAP	FIGURE
DT06-4S	DT06-4S	A	GRAY	X					1
DT06-4S-C015	DT06-4S-C015	B	GRAY		X				1
DT06-4S-C017	DT06-4S-C017	A	GRAY			X	X		2
DT06-4S-CE01	DT06-4S-CE01	B	GRAY		X		X		2
DT06-4S-CE02	DT06-4S-CE02	B	BLACK		X				1
DT06-4S-CE03	DT06-4S-CE03	A	BLACK		X		X		2
DT06-4S-CE04	DT06-4S-CE04	B	GRAY		X			X	3
DT06-4S-CE05	DT06-4S-CE05	B	BLACK		X		X		2
DT06-4S-CE06	DT06-4S-CE06	B	BLACK		X				1
DT06-4S-CE13	DT06-4S-CE13	B	BLACK		X			X	3
DT06-4S-CP01	DT06-4S-CP01	A	BLACK			X	X		2
DT06-4S-E003	DT06-4S-E003	A	GRAY	X			X		2
DT06-4S-E004	DT06-4S-E004	A	BLACK	X					1
DT06-4S-E005	DT06-4S-E005	A	BLACK	X			X		2
DT06-4S-E008	DT06-4S-E008	A	GRAY	X				X	3
DT06-4S-EP04	DT06-4S-EP04	B	GRAY	X			X		2
DT06-4S-EP06	DT06-4S-EP06	B	BLACK	X			X		2
DT06-4S-EP11	DT06-4S-EP11	B	BLACK	X				X	3
DT06-4S-P004	DT06-4S-P004	B	GRAY	X					1
DT06-4S-P012	DT06-4S-P012	A	BLACK	X					1
1-2448104-1	DT06-4S-TE09	A	BROWN		X				1
1-2448104-2	DT06-4S-TE03	A	GREEN		X				1
1-2448104-3	DT06-4S-TE07	A	BLUE		X				1
2-2448104-1	DT06-4S-TN09	A	BROWN	X					1
2-2448104-2	DT06-4S-TN03	A	GREEN	X					1
2-2448104-3	DT06-4S-TN07	A	BLUE	X					1

- 4 "E" IDENTIFIES E-SEAL, LOCATED APPROX. AS SHOWN.
- 3 MATERIAL: HOUSING: PA66 GF15, SEE TABLE FOR COLOR
SHORT, LONG CAP: PA66 GF15, SEE TABLE FOR COLOR
GROMMET: E-SEAL VMO (BURNT RED)
N-SEAL VMO (RED-ORANGE)
BLOCKED VMO (RED-ORANGE)
FRONT SEAL: VMO (RED-ORANGE),
- 2. THIS PLUG MATES WITH DT04-4P-XXXX RECEPTACLE.
(XXXX = ALL MODIFICATIONS)
- 1. SECONDARY WEDGE LOCK SOLD SEPARATELY: W4SX-XXXX.
(X = A, B, C, D KEY, XXXX = ALL MODIFICATIONS)
W4S OR W4S-P012 MAY BE USED WITH THESE PLUGS,
W4S-P012 IS RECOMMENDED.

- 6 MARKING FOR PARTS PRODUCED IN CHINA:
 - XXXX IDENTIFIES THE MODIFICATION NUMBER, IF APPLICABLE. EXAMPLE: "E003" FOR DT06-4S-E003, OR BLANK FOR DT06-4S.
 - DATE CODE: IDENTIFIES THE YEAR, MONTH, DAY AND HOUR OF ASSEMBLY.
YEAR: FIRST AND SECOND DIGITS. (17 = 2017)
MONTH: THIRD DIGIT, EXCLUDING 1. A = JAN, B = FEB, C = MARCH ... (K = OCTOBER)
DAY: FOURTH AND FIFTH DIGITS (14 = 14th DAY)
HOUR: SIXTH AND SEVENTH DIGITS (11 = 11AM)
 - DIAL DATE CODE LOCATED ON HOUSING AND/OR CAP.
 - CN LOCATED ON HOUSING AND/OR CAP.
- 5. FOR CONTACTS AND WIRE PERFORMANCE AND APPLICATION CHARACTERISTICS SEE CUSTOMER DRAWING 0425-015-0000.

- 7 MARKING FOR PARTS PRODUCED IN US:
 - DATE CODE: YEAR TO BE LAST NUMERICAL DIGIT, EX: 1=2021
MONTH USES SEQUENTIAL ALPHA CHARACTERS, EX: A=JANUARY

NOTES: UNLESS OTHERWISE SPECIFIED

THIS DRAWING IS A CONTROLLED DOCUMENT. DWG: R. MESSENGER 28 JUN 2021
CHK: I. GRANTCHAROVA 12 JUL 2021
APP'D: I. GRANTCHAROVA 12 JUL 2021

STE TE Connectivity

NAME: 4 WAY PLUG, STANDARD SEAL, EXTRA THIN SEAL, SHORT AND LONG CAP DT SERIES
SIZE: 108-151009
APPLICATION SPEC: 114-151009
WEIGHT: 114-151009

CUSTOMER DRAWING: 4AFU8 ©-DT06-4S-XXXX
SCALE: 3:1 SHEET: 1 OF 2 REV: A2

REVISIONS				
P	LTN	DESCRIPTION	DATE	APVD
-	SEE SHEET 1			

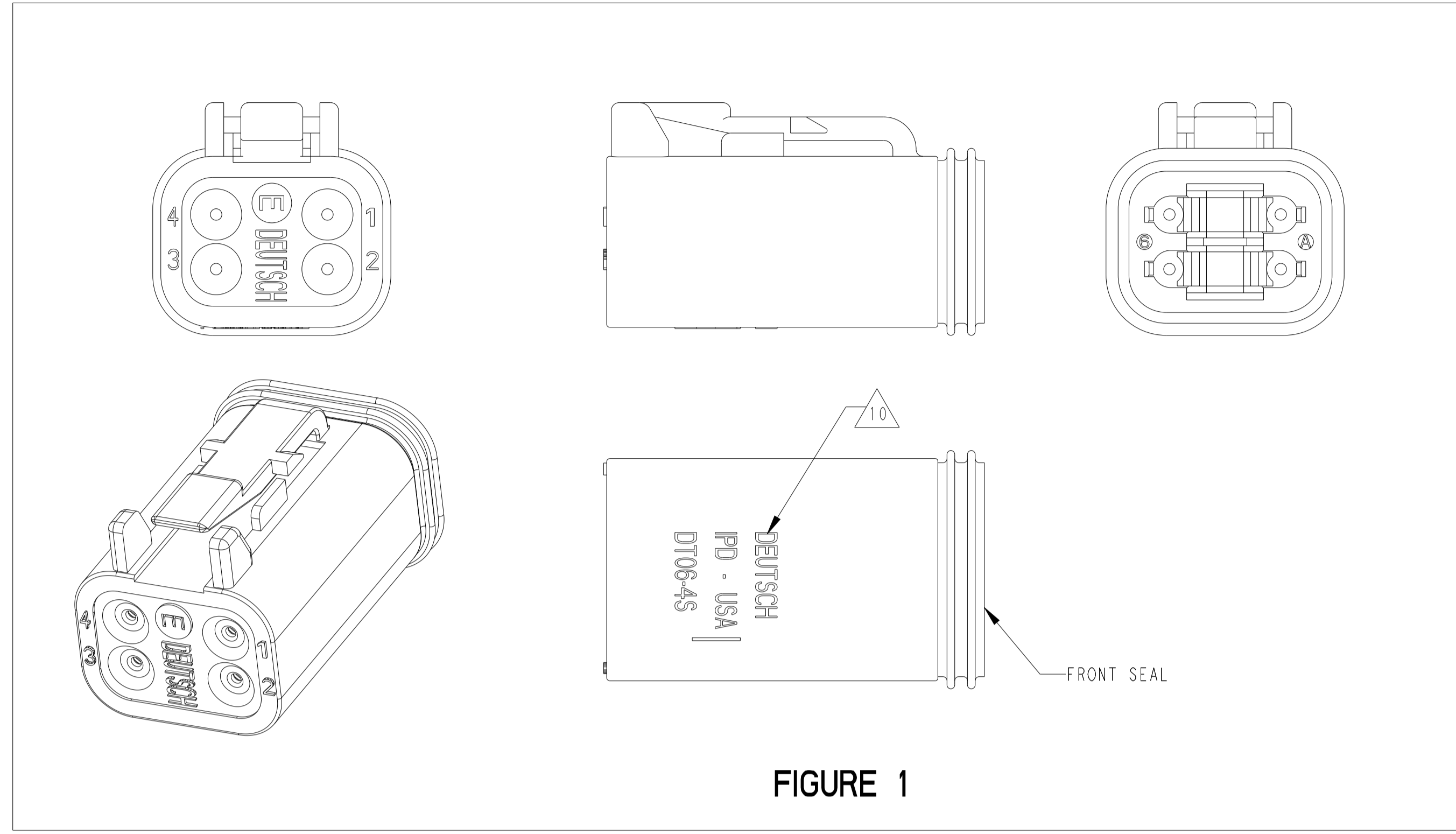


FIGURE 1

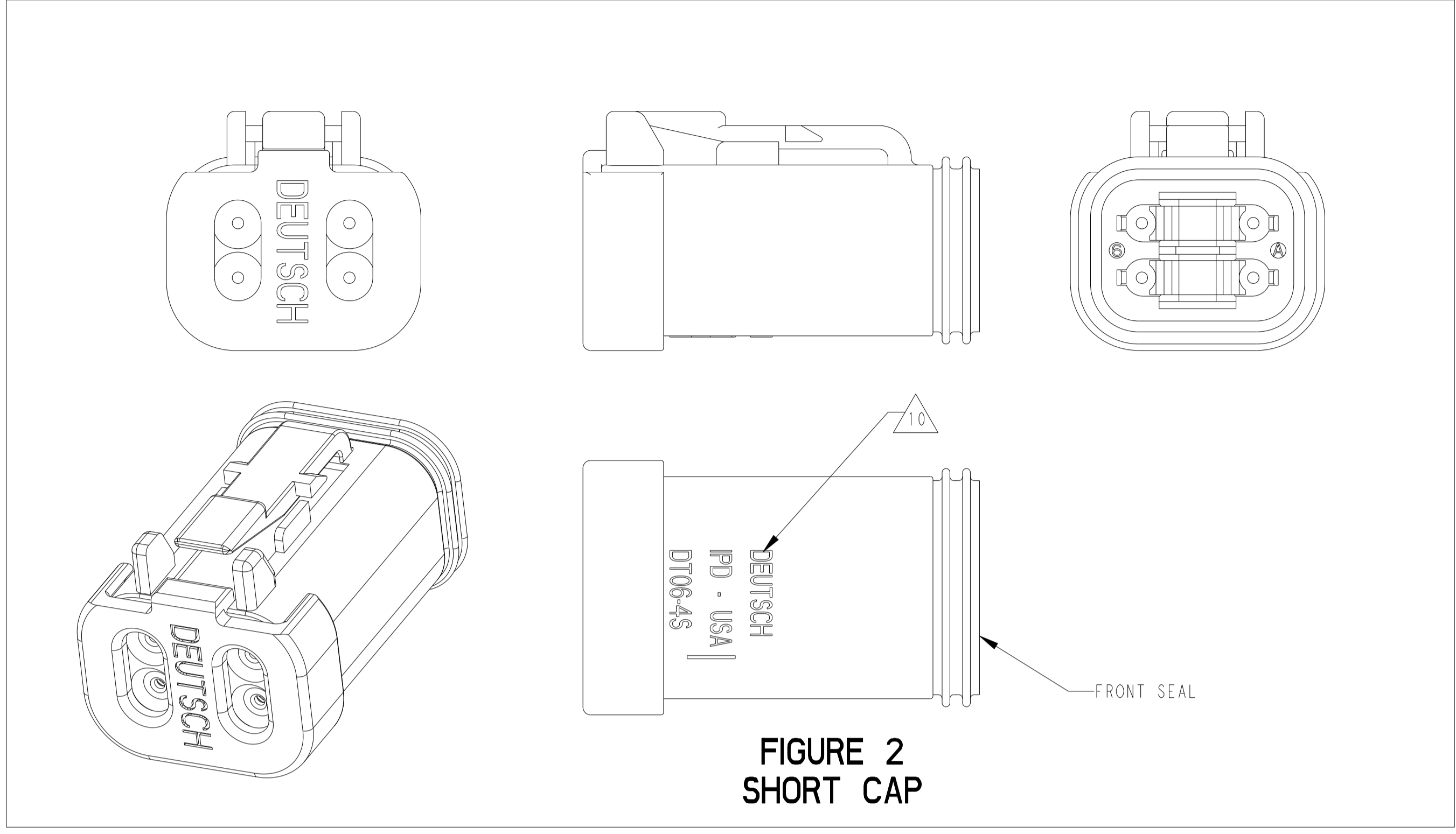


FIGURE 2
SHORT CAP

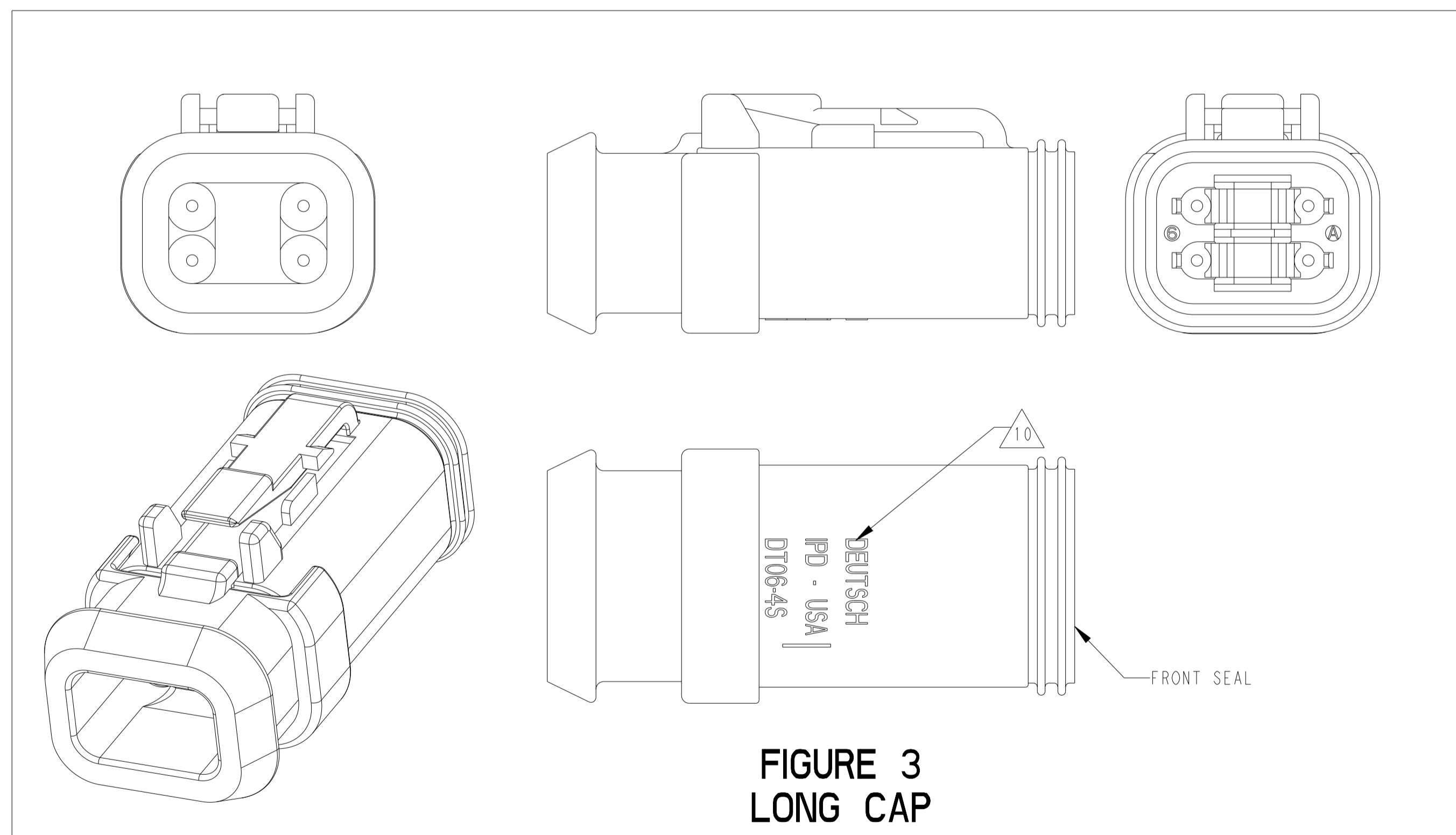


FIGURE 3
LONG CAP

AFFECTED PART NUMBERS	PN REV	COLOR	STANDARD SEAL GROMMET	EXTRA THIN SEAL E-SEAL GROMMET	BLOCKED SEAL	SHORT CAP	LONG CAP	FIGURE
DT06-4S	-	GRAY	X					1
DT06-4S-C015	A	GRAY		X				1
DT06-4S-C017	-	GRAY			X	X		2
DT06-4S-CE01	A	GRAY		X		X		2
DT06-4S-CE02	A	BLACK		X				1
DT06-4S-CE03	-	BLACK		X		X		2
DT06-4S-CE04	A	GRAY		X			X	3
DT06-4S-E003	-	GRAY	X			X		2
DT06-4S-E004	-	BLACK	X					1
DT06-4S-E005	-	BLACK	X			X		2
DT06-4S-E008	-	GRAY	X				X	3
DT06-4S-EP04	A	GRAY	X			X		2
DT06-4S-P004	A	GRAY	X					1

10 PARTS IN THE STANDARD TYPE CONFIGURATION WILL HAVE 'DEUTSCH' ID TEXT ON THE HOUSINGS.

9. SECONDARY WEDGE LOCK SOLD SEPARATELY: W4S OR W4SX (X = A,B,C,D KEY). W4S OR W4SX MUST BE USED WITH THE STANDARD TYPE PLUGS.

8 THE AFFECTED PARTS NUMBERS LISTED ARE CHANGING FROM STANDARD TYPE SEAL (SHEET 2) TO RETENTION TYPE SEAL (SHEET 1). PARTS WILL BE SUPPLIED FROM THE NORTH AMERICA REGION IN THE STANDARD TYPE CONFIGURATION UNTIL THE STANDARD TYPE TOOLING REACHES ITS END OF LIFE, PARTS PRODUCED IN CHINA WILL BE RETENTION TYPE ONLY.

THIS DRAWING IS A CONTROLLED DOCUMENT.

OWN: R. MESSENGER 28 JUN 2021
 CHK: I. GRANTCHAROVA 12 JUL 2021
 APVD: I. GRANTCHAROVA 12 JUL 2021

DIMENSIONS: IN [mm]

TOLERANCES UNLESS OTHERWISE SPECIFIED:
 0 PLC ±
 1 PLC ±
 2 PLC ±
 3 PLC ±0.25 (0.64)
 4 PLC ±
 ANGLES ±0°30'00"

MATERIAL FINISH WEIGHT

PRODUCT SPEC: 108-151009
 APPLICATION SPEC: 114-151009

NAME: 4 WAY PLUG, STANDARD SEAL, EXTRA THIN SEAL, SHORT AND LONG CAP DT SERIES

SIZE: A1 CAGE CODE: 4AFU8 DRAWING NO: DT06-4S-XXXX

RESTRICTED TO: -

CUSTOMER DRAWING SCALE: 3:1 SHEET 2 OF 2 REV: A2