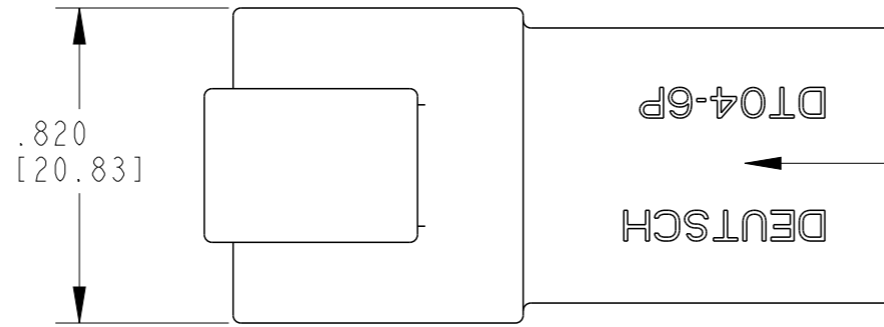
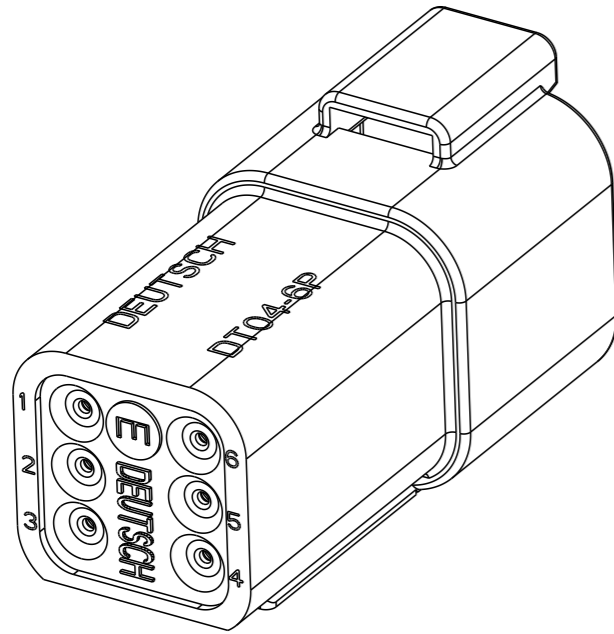


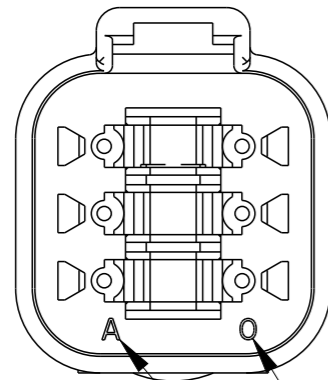
REVISIONS

P	LTR	DESCRIPTION	DATE	DWN	APVD
	NC	NEW RELEASE PER E.O. P17094	02JUN2001	TY	RDR
	A	REVISED PER PCN E-20-006191	28APR2020	MR	IG

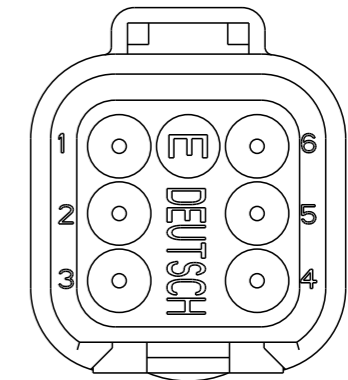
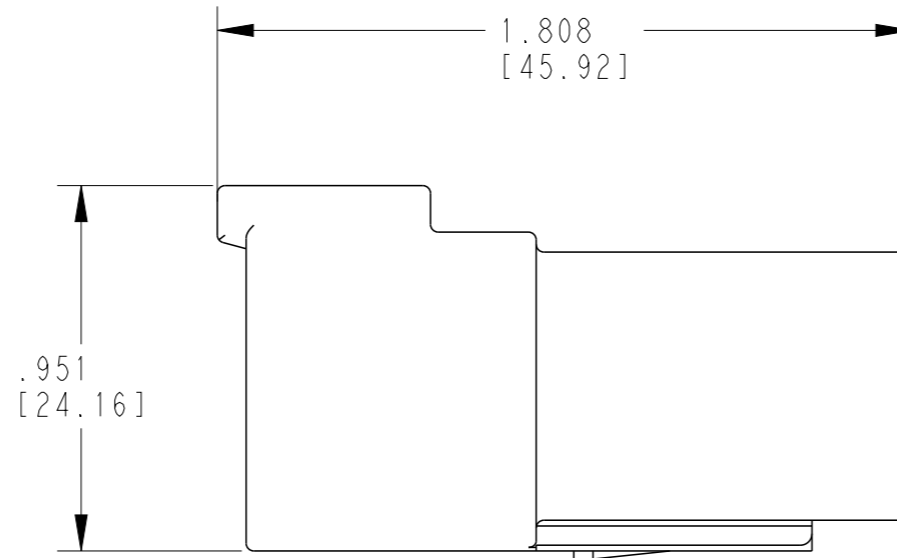


MIDDLE LINE OF TEXT MAY VARY.
EX. "IPD-USA" OR BLANK

CONTACT SIZE	MIN. INSUL. O.D.	MAX. INSUL. O.D.	WIRE RANGE [mm ²] REF ONLY
16	.053 [1.35]	.120 [3.05]	14-20 AWG [2.0-0.5]



EX. OF YEAR 2020
EX. OF MONTH JANUARY



DATE CODE LEGEND

YEAR TO BE REPRESENTED BY LAST NUMERICAL DIGIT, EX. 0 = 2020
MONTH USES SEQUENTIAL ALPHA CHARACTERS, EX. A= JANUARY

4. THIS RECEPTACLE MATES WITH DT06-6S-**** PLUG. (****=ALL MODIFICATIONS).

3 FOR WIRE PERFORMANCE AND APPLICATION CHARACTERISTICS, SEE ENVELOPE DRAWING 0425-015-0000.

2 MATERIAL: HOUSING: PA66 GF15 (GRAY)
GROMMET: VMQ (BURNT RED)

1. WEDGE LOCK SOLD SEPARATELY W6P-XXXX (XXXX=ALL MODS).

NOTES:

TE INTERNAL PN	DEUTSCH PN
DT04-6P-C015	DT04-6P-C015

THIS DRAWING IS A CONTROLLED DOCUMENT.		DWN T. YOHANNES 26JAN01			
DIMENSIONS: IN [mm]		CHK S. BEARD 02FEB01			
TOLERANCES UNLESS OTHERWISE SPECIFIED:		APVD S. BEARD 02FEB01		NAME 6 WAY RECEPTACLE -C015 MOD. DT SERIES	
0 PLC ±		PRODUCT SPEC 108-151009		SIZE A3	
1 PLC ±		APPLICATION SPEC 114-151009		CAGE CODE 00779	
2 PLC ±		WEIGHT 9 gr		DRAWING NO C=DT04-6P-C015	
3 PLC ±.025 [0.64]		CUSTOMER DRAWING		RESTRICTED TO	
4 PLC ±		SCALE 1:1		SHEET 1 OF 1	
ANGLES ±0°30'0''		REV A			
FINISH -					