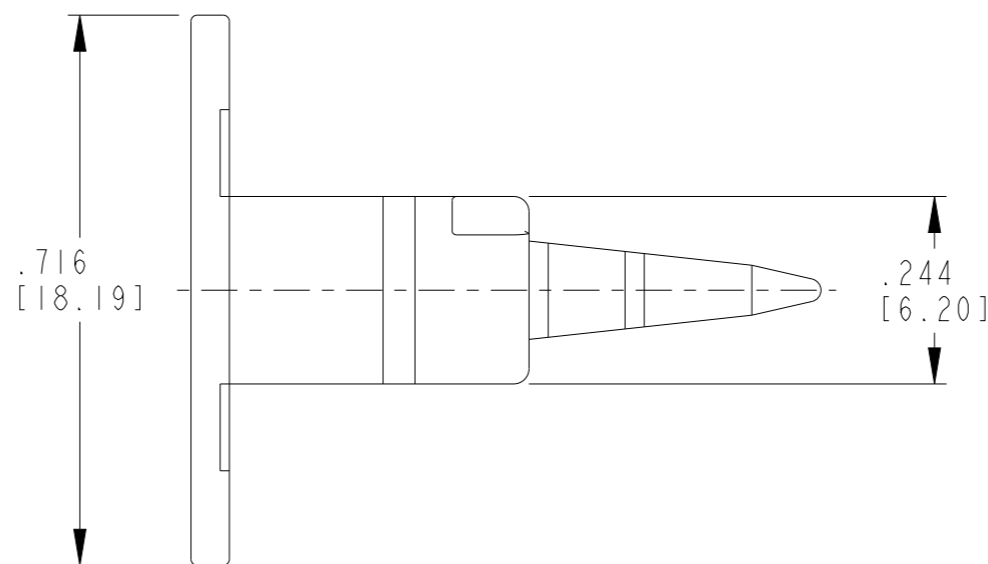
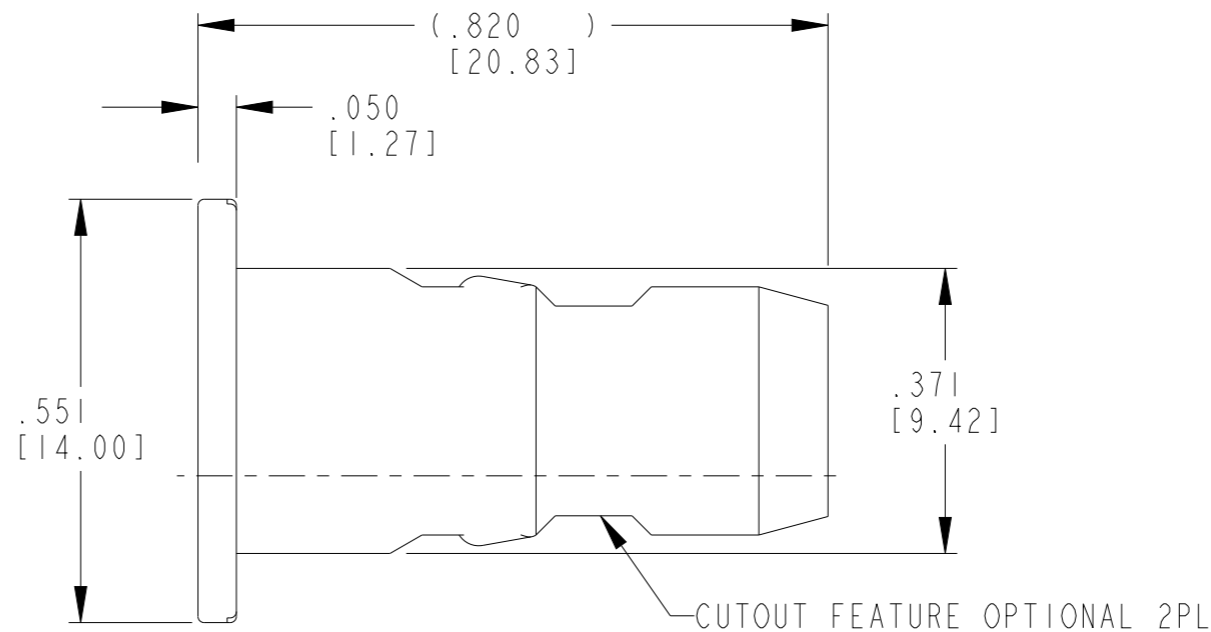
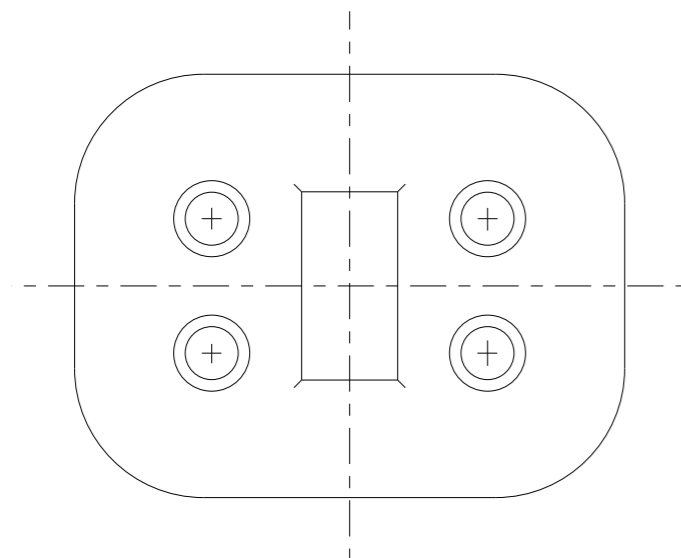


REVISIONS

P	LTR	DESCRIPTION	DATE	DWN	APVD
	H	REVISED PER PCN-23-190134	29SEP2023	GB	CB



1. W4S WEDGE USED WITH DT06-4S-XXXX PLUG.
(XXXX = ALL MODIFICATIONS)

THIS DRAWING IS A CONTROLLED DOCUMENT.		DWN X. SANCHEZ 07NOV2001			
		CHK B. BAYFORD 03APR2009			
DIMENSIONS: INCHES [mm]		TOLERANCES UNLESS OTHERWISE SPECIFIED: 0 PLC ± 1 PLC ± 2 PLC ± 3 PLC ±.025 [0.64] 4 PLC ± ANGLES ±		NAME WEDGE LOCK FOR 4 WAY PLUG DT SERIES	
		PRODUCT SPEC 108-151009		APVD -	
MATERIAL PBT GF30 ORANGE		FINISH -		APPLICATION SPEC 114-151009	
		WEIGHT -		SIZE A3	
		CUSTOMER DRAWING; RESTRICTED CUSTOMER		CAGE CODE 00779	
		SCALE 4:1		DRAWING NO G-W4S	
		SHEET 1 OF 1		RESTRICTED TO -	
		REV H			