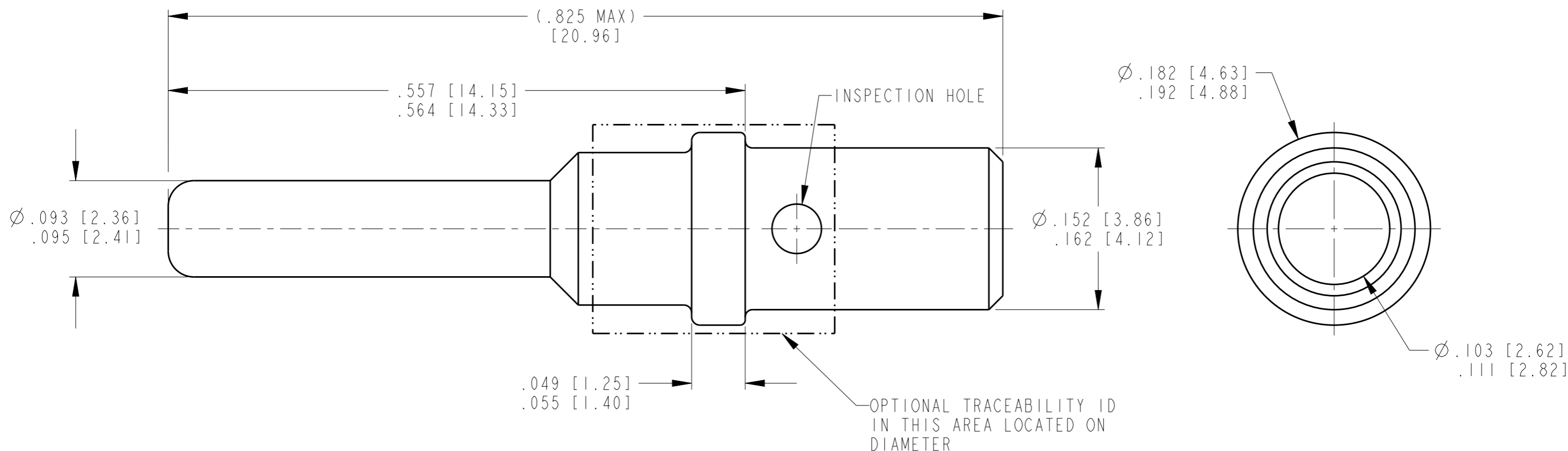


THIS DRAWING IS UNPUBLISHED
 © COPYRIGHT 2005 BY TE CONNECTIVITY ALL RIGHTS RESERVED.

RELEASED FOR PUBLICATION 2018

REVISIONS


P	LTR	DESCRIPTION	DATE	DWN	APVD
	A	REVISED PER PCN E-18-001206	24JAN2018	JA	DM
	AI	REVISED PER PCN E-19-018080	19NOV2019	MK	DM



TE INTERNAL PN	DEUTSCH PN	PLATING
0460-204-12141	0460-204-12141	NICKEL

(AI) I. SEE APPLICATION SPECIFICATION 114-151004 FOR CRIMP TOOLS AND WIRE RANGE

NOTES:

THIS DRAWING IS A CONTROLLED DOCUMENT.		DWN J. APOSTOL 08MAR2005	 TE Connectivity		
DIMENSIONS: INCHES [mm]		CHK B. BYFORD 14MAR2005			
TOLERANCES UNLESS OTHERWISE SPECIFIED:		APVD R. REED 14MAR2005	NAME CONTACT PIN SIZE 12		
0 PLC ± 1 PLC ± 2 PLC ± 3 PLC ± 4 PLC ± ANGLES ±		PRODUCT SPEC 108-151004	RESTRICTED TO		
MATERIAL		APPLICATION SPEC 114-151004	SIZE A3	CAGE CODE 4AFU8	DRAWING NO 0460-204-12XX
FINISH		WEIGHT 1.27g	SCALE 10:1 SHEET 1 OF 1 REV AI		
CUSTOMER DRAWING					