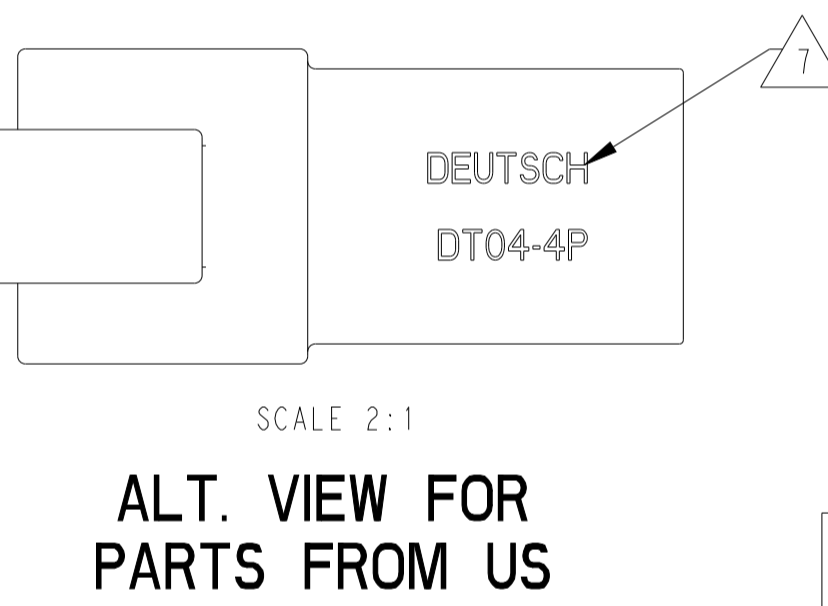
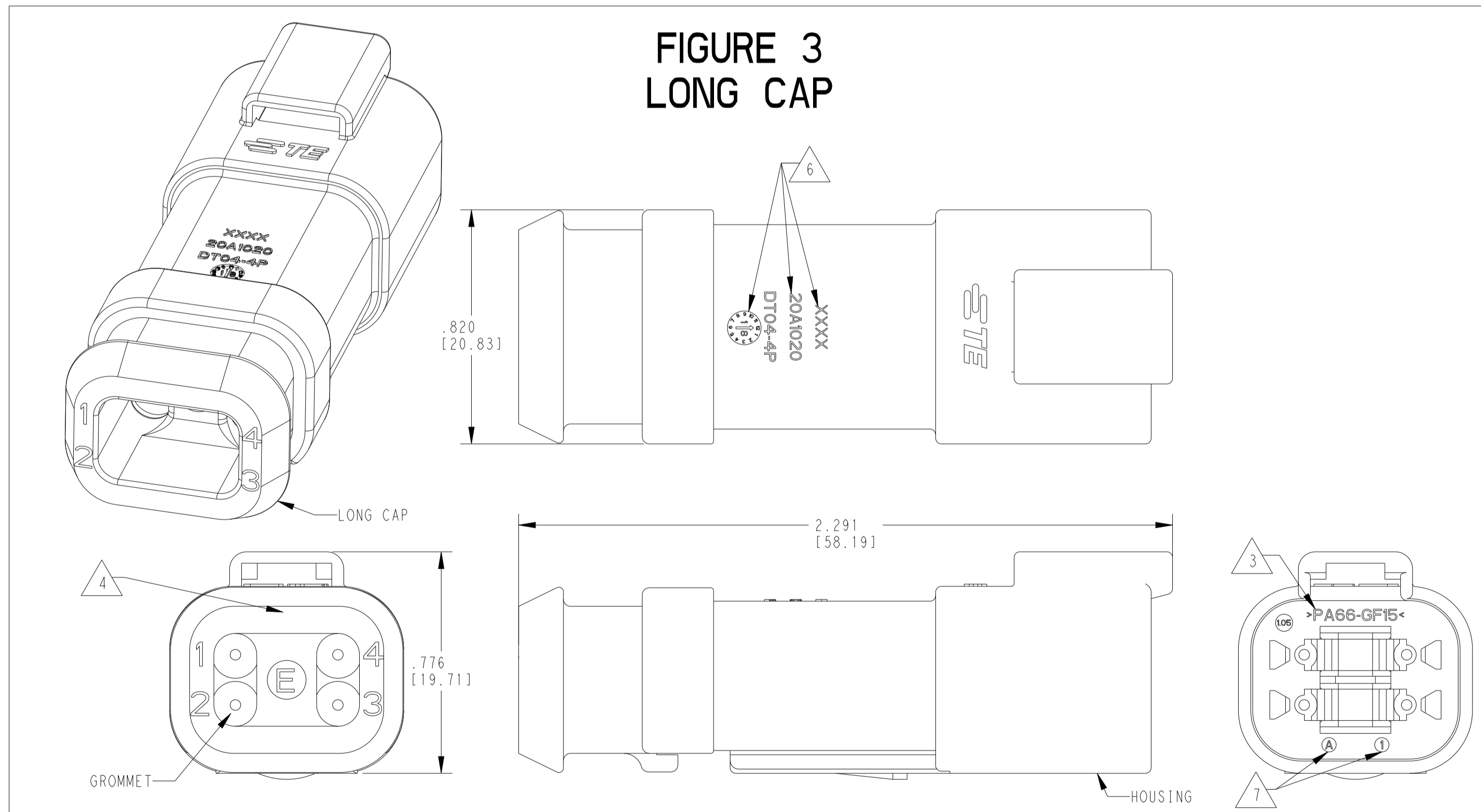
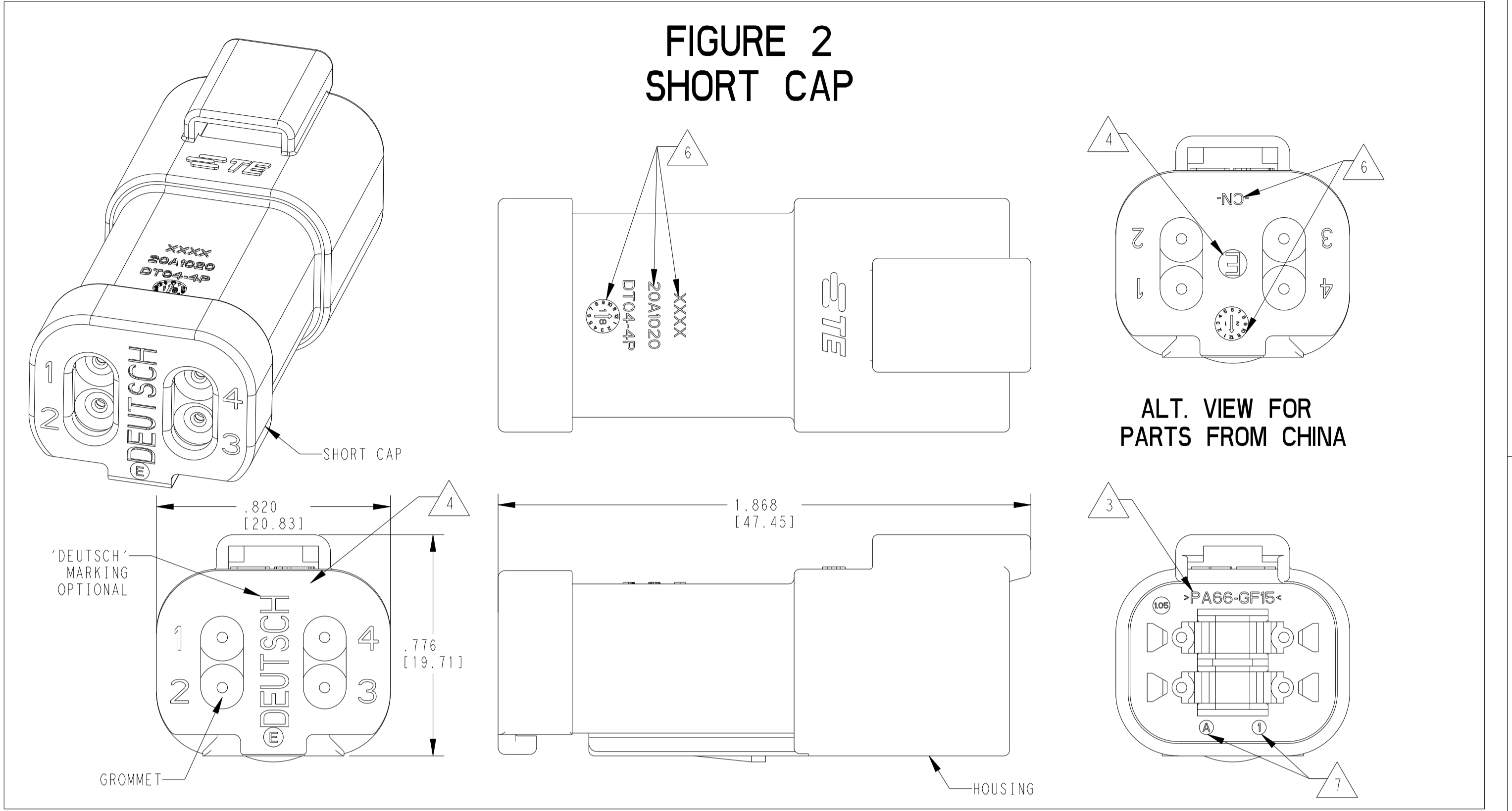
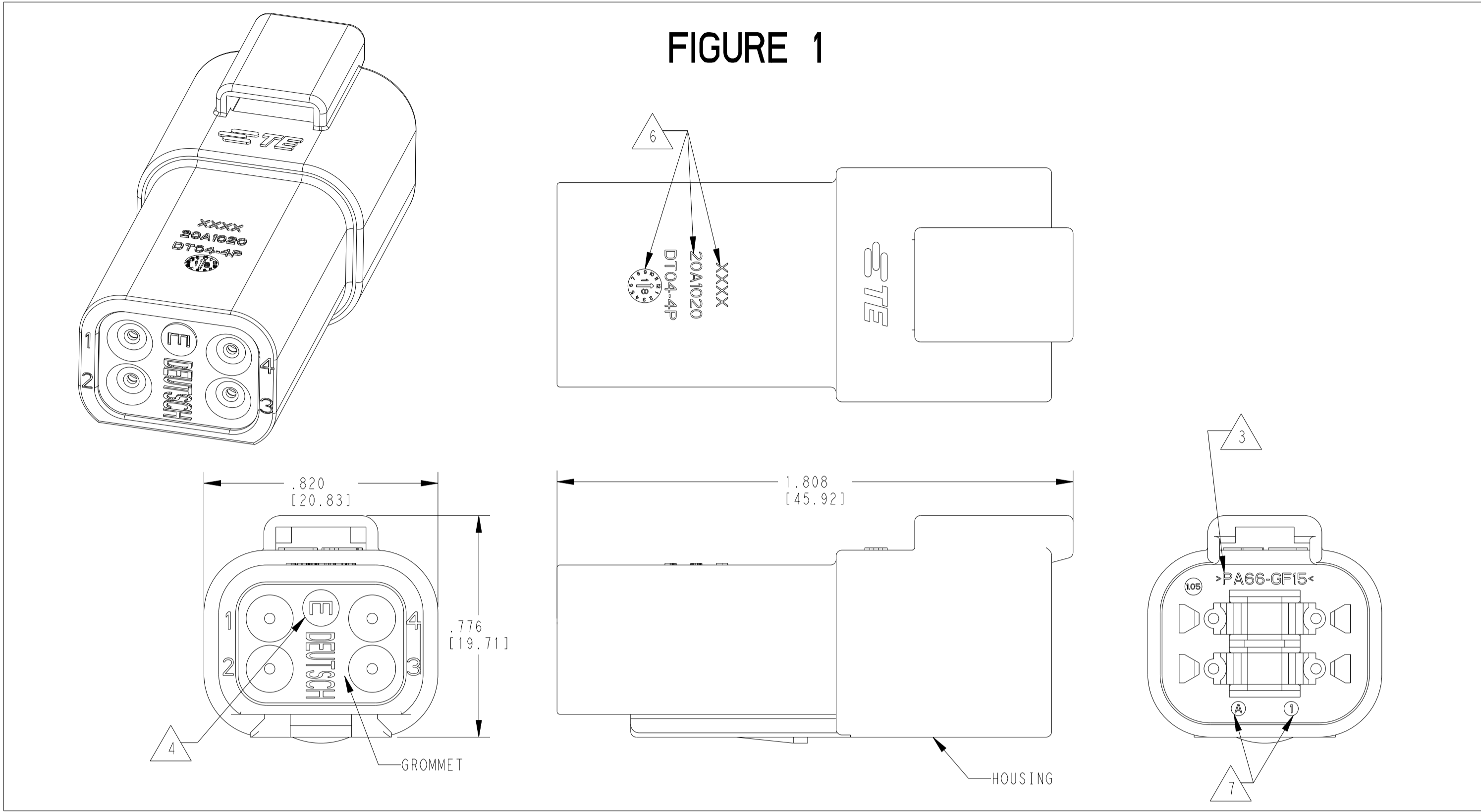


REVISIONS				
P	LTN	DESCRIPTION	DATE	APV'D
A		INITIAL RELEASE PER PCN-21-003453	14DEC2021	AP 1G
A1		REVISED PER PCN-23-187402	19SEP2023	OD 1G



CONTACT SIZE	WIRE RANGE	INSULATION OD SEALING RANGE	SEAL IDENTIFICATION
16	14-20 AWG [2.5-0.5mm ²]	.088 - .145 [2.23-3.68] .053 - .120 [1.35-3.05]	STANDARD SEAL EXTRA THIN SEAL E-SEAL

TE INTERNAL PART NUMBER	DEUTSCH PART NUMBER	PN REV	COLOR	STANDARD SEAL	EXTRA THIN SEAL E-SEAL	BLOCKED SEAL	SHORT CAP	LONG CAP	FIGURE
DT04-4P	DT04-4P	A	GRAY	X					1
DT04-4P-C015	DT04-4P-C015	B	GRAY		X				1
DT04-4P-C017	DT04-4P-C017	B	GRAY			X	X		2
DT04-4P-CE01	DT04-4P-CE01	B	GRAY		X		X		2
DT04-4P-CE02	DT04-4P-CE02	B	BLACK		X				1
DT04-4P-CE03	DT04-4P-CE03	B	BLACK		X		X		2
DT04-4P-CE04	DT04-4P-CE04	B	GRAY		X			X	3
DT04-4P-CE09	DT04-4P-CE09	B	BLACK		X			X	3
DT04-4P-CE26	DT04-4P-CE26	A	BLACK			X	X		2
DT04-4P-E003	DT04-4P-E003	A	GRAY	X			X		2
DT04-4P-E004	DT04-4P-E004	A	BLACK	X					1
DT04-4P-E005	DT04-4P-E005	A	BLACK	X			X		2
DT04-4P-E008	DT04-4P-E008	B	GRAY	X				X	3
DT04-4P-EE01	DT04-4P-EE01	A	BLACK	X				X	3
DT04-4P-EP04	DT04-4P-EP04	B	GRAY	X			X		2
DT04-4P-P004	DT04-4P-P004	B	GRAY	X					1
1-2448112-1	DT04-4P-TE09	A	BROWN		X				1
1-2448112-2	DT04-4P-TE03	A	GREEN		X				1
1-2448112-3	DT04-4P-TE07	A	BLUE		X				1
1-2448112-1	DT04-4P-TN09	A	BROWN	X					1
1-2448112-2	DT04-4P-TN03	A	GREEN	X					1
1-2448112-3	DT04-4P-TN07	A	BLUE	X					1

6. MARKING FOR PARTS PRODUCED IN CHINA:

- XXXX IDENTIFIES THE MODIFICATION NUMBER, IF APPLICABLE. EXAMPLE: "E003" FOR DT04-4P-E003, OR BLANK FOR DT04-4P
- DATE CODE: IDENTIFIES THE YEAR, MONTH, DAY AND HOUR OF ASSEMBLY.
YEAR: FIRST AND SECOND DIGIT. (17 = 2017)
MONTH: THIRD DIGIT, EXCLUDING 1. A = JAN, B = FEB, C = MARCH ... (K = OCTOBER)
DAY: FOURTH AND FIFTH DIGITS (14 = 14th DAY)
HOUR: SIXTH AND SEVENTH DIGITS (11 = 11AM)
- DIAL DATE CODE LOCATED ON HOUSING AND/OR CAP.
-CN LOCATED ON HOUSING AND/OR CAP.

7. MARKING FOR PARTS PRODUCED IN US:
-DATE CODE: YEAR TO BE LAST NUMERICAL DIGIT, EX: 1 = 2021
-MONTH USES SEQUENTIAL ALPHA CHARACTERS, EX: A = JANUARY
-DEUTSCH

- 4. "E" IDENTIFIES E-SEAL, LOCATED APPROX. AS SHOWN.
- 3. MATERIAL: HOUSING: PA66 GF15, SEE TABLE FOR COLOR
SHORT, LONG CAP: PA66 GF15, SEE TABLE FOR COLOR
GROMMET: E-SEAL VMO (BURNT ORANGE)
N-SEAL VMO (RED-ORANGE)
BLOCKED VMO (RED-ORANGE)

- 2. THIS RECEPTACLE MATES WITH DT06-4S-XXXX PLUG (XXXX = ALL MODIFICATIONS)
- 1. SECONDARY WEDGE LOCK SOLD SEPARATELY: W4PX-XXXX. (X = A,B,C,D KEY, XXXX = ALL MODIFICATIONS)

NOTES: UNLESS OTHERWISE SPECIFIED

THIS DRAWING IS A CONTROLLED DOCUMENT.

DIMENSIONS: IN [mm]	TOLERANCES UNLESS OTHERWISE SPECIFIED:	APV'D: R. MESSENGER	DATE: 14DEC2021
0 PLC #	0 PLC #	PRODUCT SPEC	NAME: 4 WAY RECEPTACLE, STANDARD SEAL EXTRA THIN SEAL, SHORT AND LONG CAP, DT SERIES
1 PLC #	1 PLC #	APPLICATION SPEC	SIZE: CAGE CODE DRAWING NO
2 PLC #	2 PLC #	FINISH	RESTRICTED TO
3 PLC #	3 PLC #		
4 PLC #	4 PLC #		
ANGLES	ANGLES		
FINISH	FINISH		

TE Connectivity

4WAY8 DT04-4P-XXXX

CUSTOMER DRAWING SCALE 3:1 SHEET 1 OF 1 REV A1