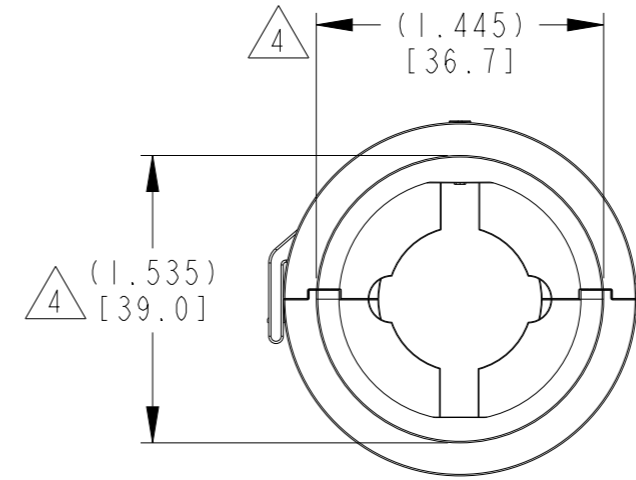
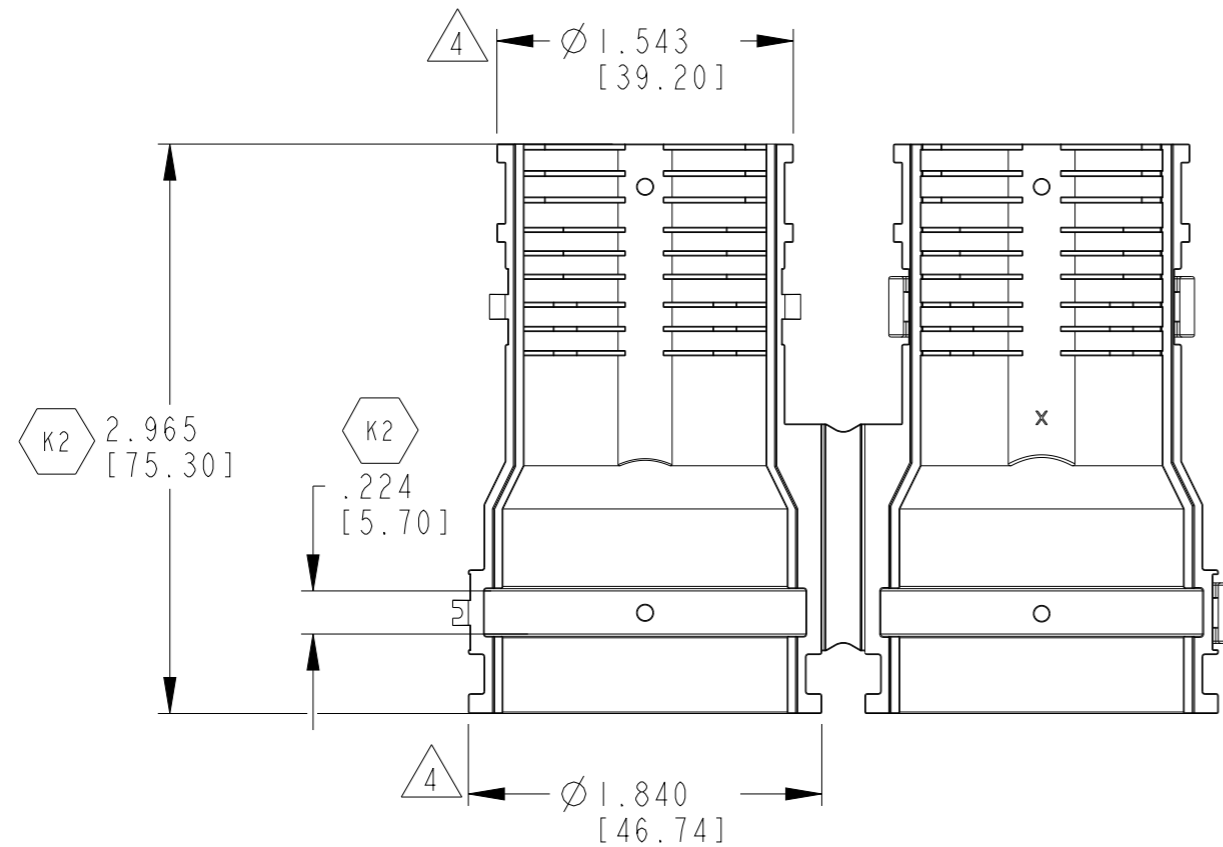
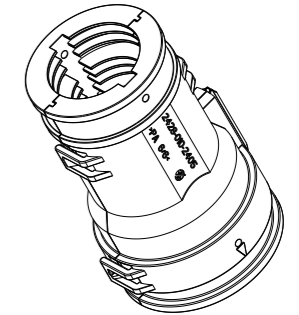


REVISIONS

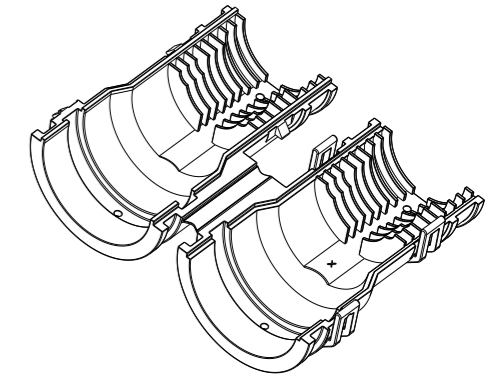
P	LTR	DESCRIPTION	DATE	DWN	APVD
	K	REVISED TO MATCH THE PART REVISION	06NOV2019	MK	CF
	K1	REVISION RECORD UPDATED	12NOV2019	MK	CF
	K2	REVISED PER PCN-22-153957	18AUG2022	SN	AW
	K3	REVISED PER PCN-23-165384	19JAN2023	MK	AW



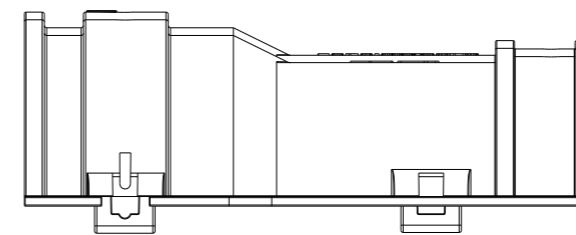
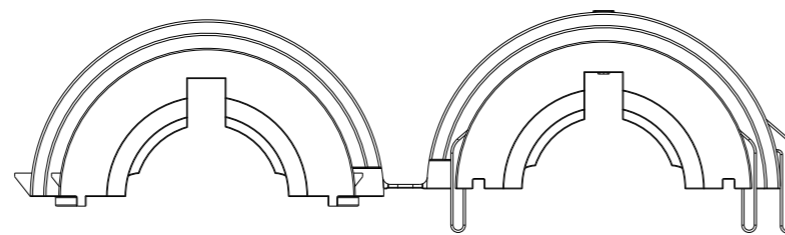
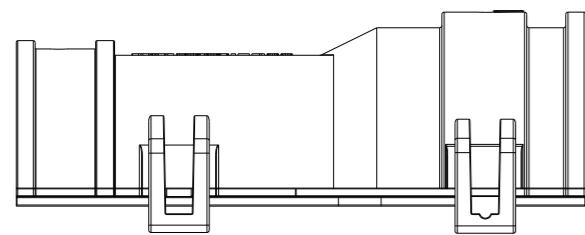
OVAL SHAPE AFTER DEMOLDING



3-D VIEW CLOSED



3-D VIEW OPEN



TE INTERNAL PN	DEUTSCH PN
2428-010-2405	ZPF000000000146919



4 CIRCULAR DIMENSIONS CAN NOT BE MEASURED WITHOUT USING A GAGE OR AN ADEQUATE CONNECTOR DUE TO WARPAGE AFTER DEMOLDING.

- 3. MATERIAL: NYLON 66, COLOR: BLACK
- 2. SUITABLE WITH CORRUGATED TUBES SIZE NW 17, 19 AND 26.
- 1. THIS PART MATES WITH HDP24/26-24-XP/SX-L017.

NOTES:

THIS DRAWING IS A CONTROLLED DOCUMENT.		DWN R. MESSENGER 20OCT2004																		
DIMENSIONS: INCH[mm]		CHK A. JAIME 30SEP2008																		
TOLERANCES UNLESS OTHERWISE SPECIFIED:		APVD R. REED 01OCT2008	NAME COVER STRAIGHT SIZE 24 HDP L017 MODS ONLY TUBE SIZE NW 17, 19, 23 AND 26																	
<table border="1"> <tr><td>0 PLC</td><td>±-</td></tr> <tr><td>1 PLC</td><td>±-</td></tr> <tr><td>2 PLC</td><td>±-</td></tr> <tr><td>3 PLC</td><td>±.025[0.63]</td></tr> <tr><td>4 PLC</td><td>±-</td></tr> <tr><td>ANGLES</td><td>±° 30' 0"</td></tr> <tr><td>FINISH</td><td>-</td></tr> </table>		0 PLC	±-	1 PLC	±-	2 PLC	±-	3 PLC	±.025[0.63]	4 PLC	±-	ANGLES	±° 30' 0"	FINISH	-	PRODUCT SPEC 108-151015	SIZE A3	CAGE CODE 4AFU8	DRAWING NO 2428-010-2405	RESTRICTED TO -
0 PLC	±-																			
1 PLC	±-																			
2 PLC	±-																			
3 PLC	±.025[0.63]																			
4 PLC	±-																			
ANGLES	±° 30' 0"																			
FINISH	-																			
MATERIAL VYDYNE 47H PA 6/6		APPLICATION SPEC 114-151015	WEIGHT 30 g	SCALE 1:1		SHEET 1 OF 1	REV K3													
		CUSTOMER DRAWING																		