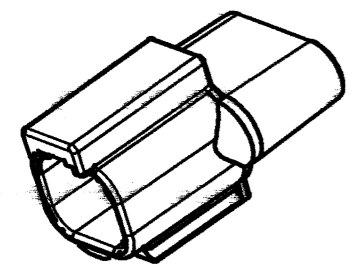
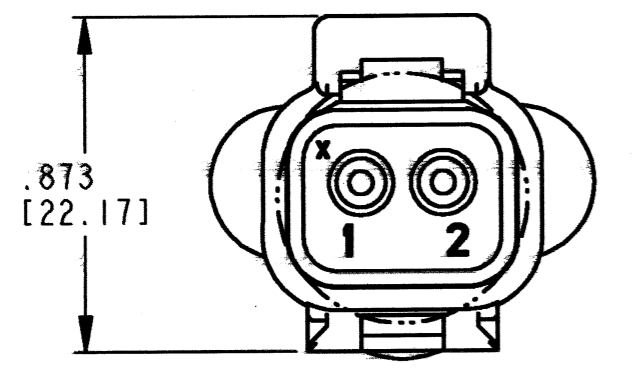
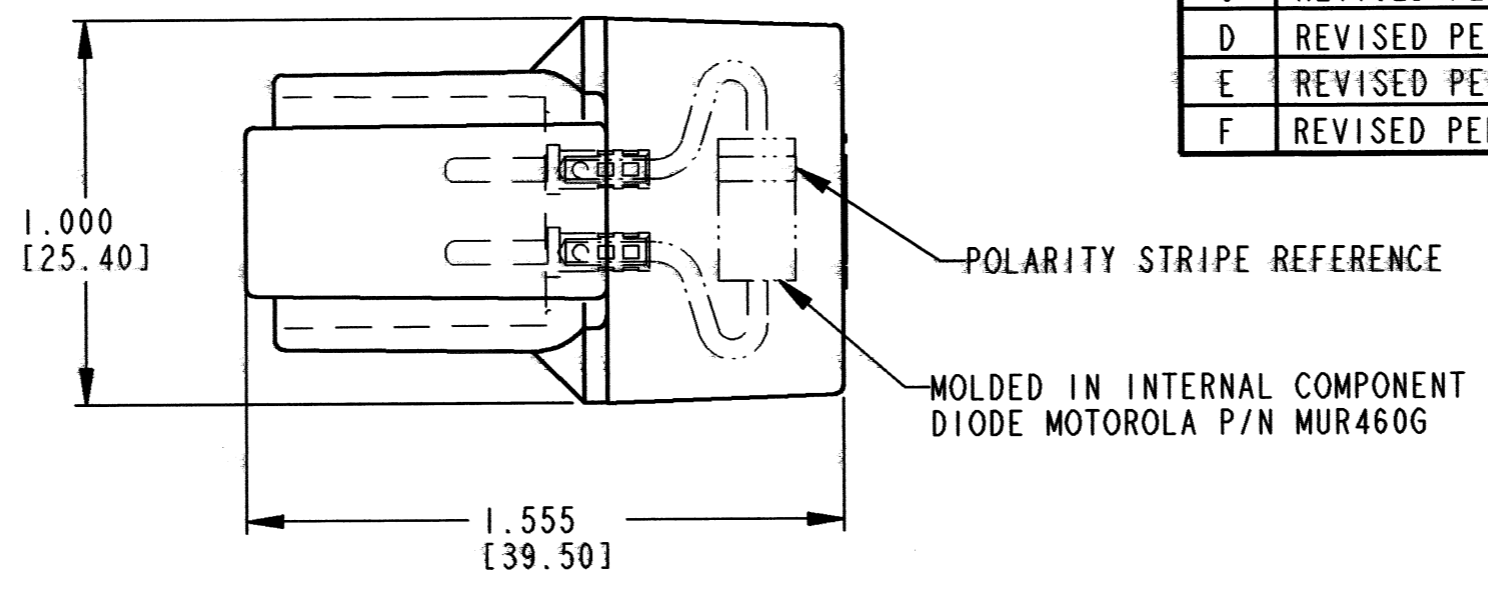


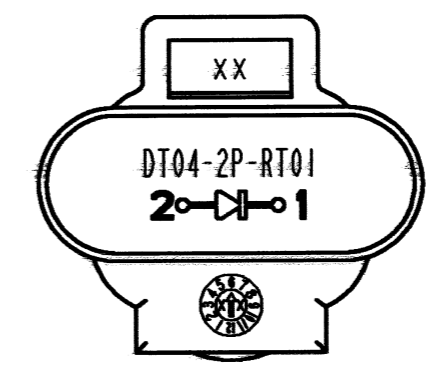
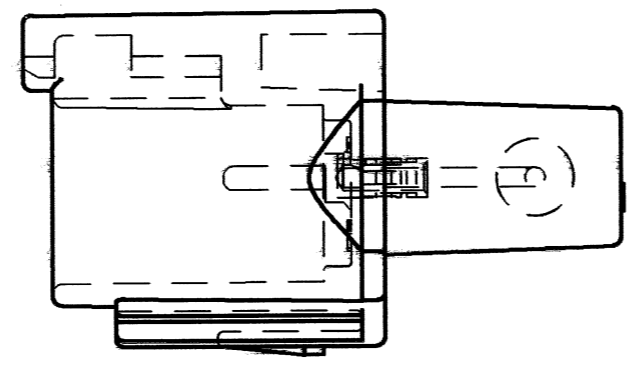
REV	SYM	DESCRIPTION	REVISIONS	
			DATE	APPROVED
F	DT04-2P-RT01			
C		REVISED PER E.O. P16218	7/30/99	CLW
D		REVISED PER E.O. P19162	3/15/06	R.D.R.
E		REVISED PER E.O. P19626	4/21/08	R.D.R.
F		REVISED PER E.O. P20499	5-27-10	ADR



3D VIEW



CIRCUIT DWG.



- NOTES:
1. ALL DIMENSIONS ARE INCHES (METRIC).
 2. ALL DIMENSIONS W/O TOLERANCE ARE +/- .025 [+/- 0.63]
 3. RECEPTACLE MATES WITH DT06-2S-****.
 4. TEMPERATURE RANGE : -55°C TO +125°C.
 5. MOTOROLA DIODE P/N: MUR460G.
 PEAK REVERSE VOLTAGE = 600.0 V MAX.
 PEAK FORWARD VOLTAGE = 1.28 V MAX.
 AVERAGE FORWARD CURRENT = 4.0 A MAX.
 CONSULT THE FACTORY FOR DETAILED SPECIFICATIONS.
 6. MATERIAL: PLASTIC; COLOR: BLACK

SIGNATURE & DATE		2 WAY RECEPTACLE TERMINATOR DT SERIES ENVELOPE	EP	MATL. CODE
DR	C.R. BUNKE 29 JUL 99		3850 INDUSTRIAL AVE. HEMET, CA 92545	
CHK	<i>[Signature]</i> 5/27/10		DEUSCH INDUSTRIAL	
PE	<i>[Signature]</i> 4/21/10		B DT04-2P-RT01	
APPD	<i>[Signature]</i> 5-26-10		DWG SIZE	CODE 11139
SCALE	NONE WT			