

REVISIONS				
P	LTN	DESCRIPTION	DATE	APVD
A		NEW RELEASE PER PCN E-21-003453	22NOV2021	MK 1G

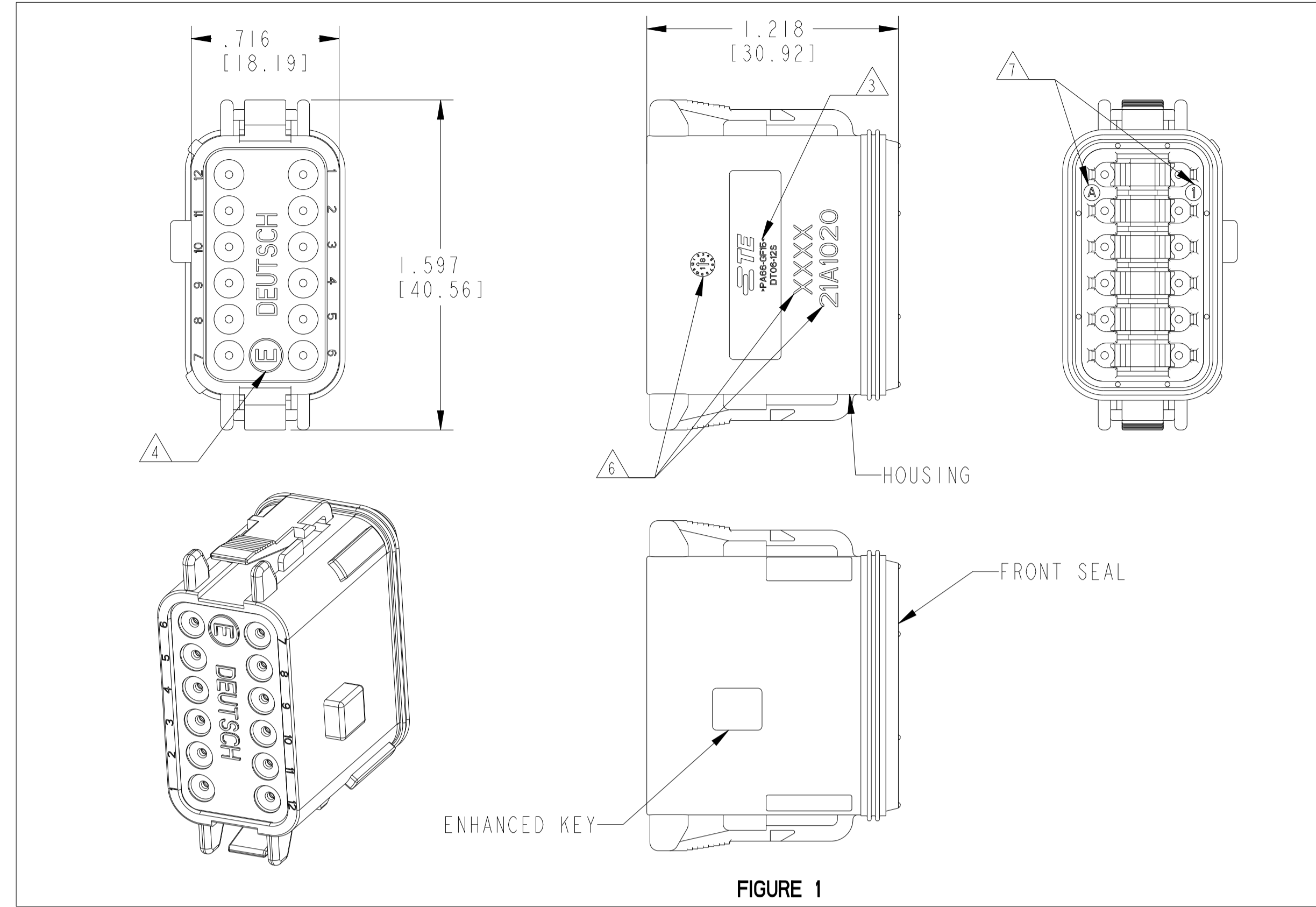


FIGURE 1

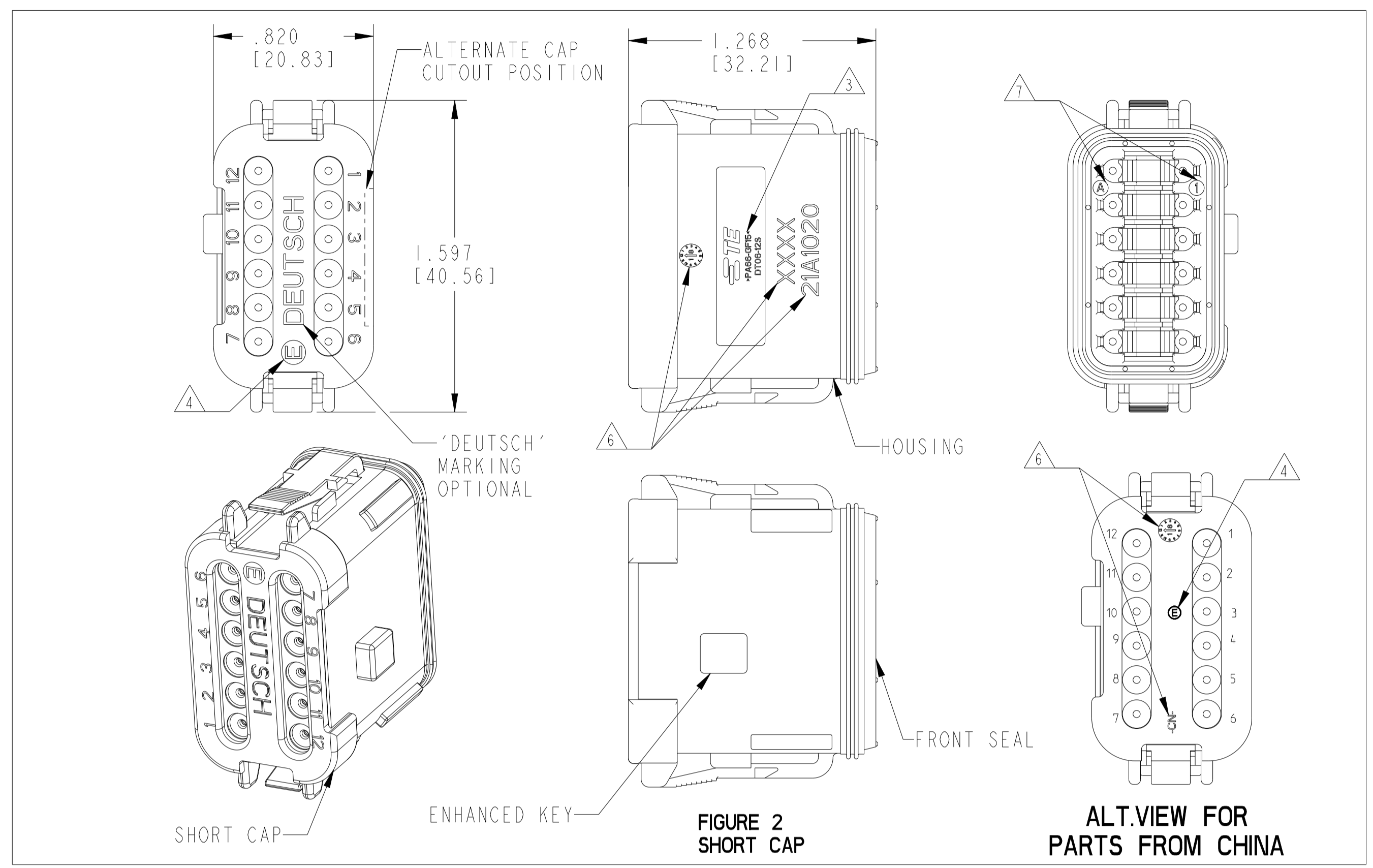


FIGURE 2 SHORT CAP

ALT.VIEW FOR PARTS FROM CHINA

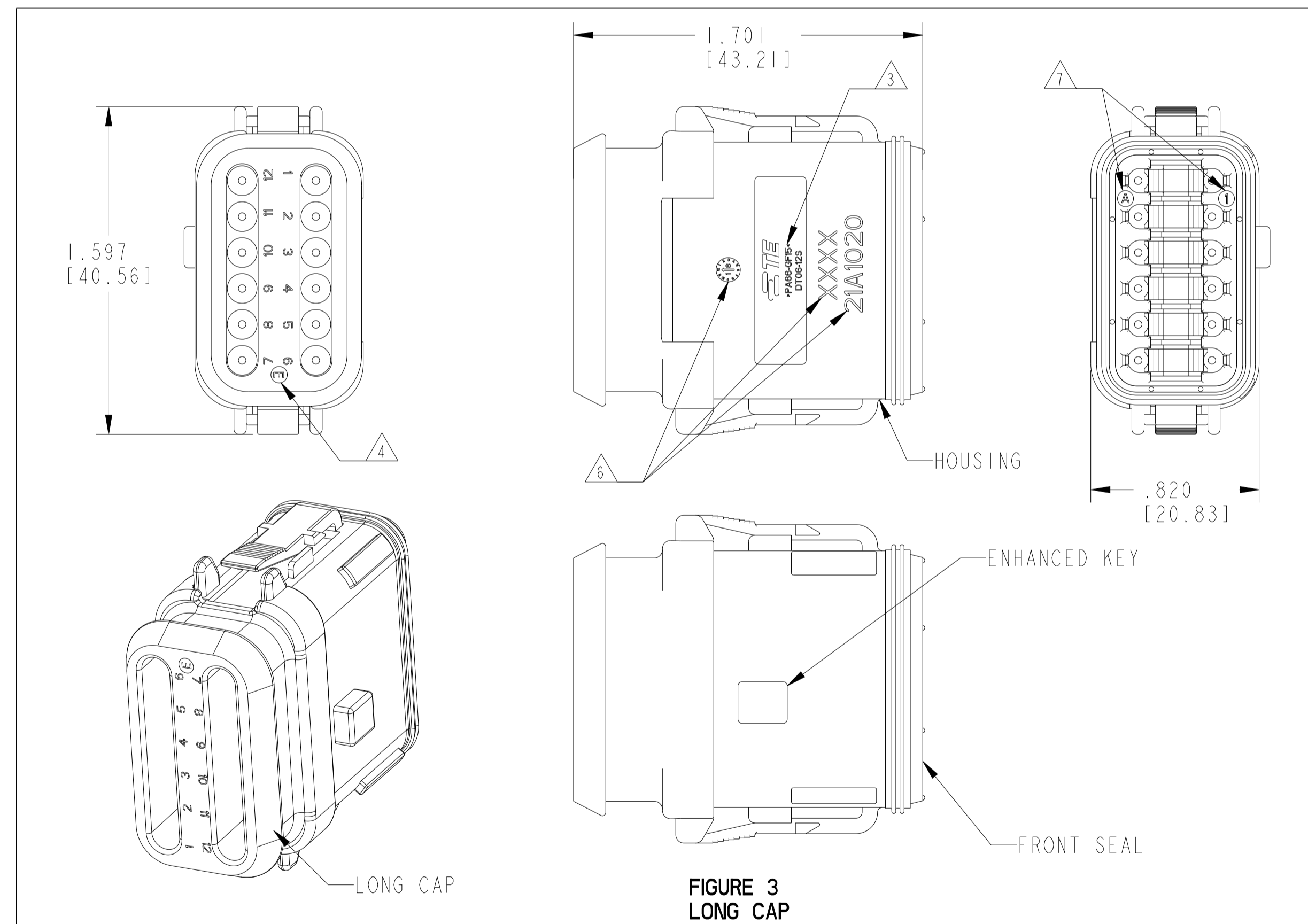


FIGURE 3 LONG CAP

TE INTERNAL PART NUMBER	DEUTSCH PART NUMBER	PN REV	COLOR	STANDARD SEAL	EXTRA THIN SEAL	EXTRA THIN SEAL E SEAL	BLOCKED SEAL	ENHANCED KEY	SHORT CAP	LONG CAP	FIGURE
DT06-12SX	DT06-12SX	A	ALL	X							1
DT06-12SX-B016	DT06-12SX-B016	A	ALL	X				X			1
DT06-12SX-BE01	DT06-12SX-BE01	A	ALL	X				X	X		2
DT06-12SX-C015	DT06-12SX-C015	B	ALL		X						1
DT06-12SX-C017	DT06-12SX-C017	A	ALL				X		X		2
DT06-12SX-CE01	DT06-12SX-CE01	C	ALL		X				X		2
DT06-12SA-CE02	DT06-12SA-CE02	B	BLACK		X						1
DT06-12SA-CE03	DT06-12SA-CE03	A	BLACK		X				X		2
DT06-12SX-CE04	DT06-12SX-CE04	B	ALL		X			X		X	3
DT06-12SX-CE05	DT06-12SX-CE05	B	ALL		X			X	X		2
DT06-12SX-CE06	DT06-12SX-CE06	B	ALL		X			X			1
DT06-12SA-CE10	DT06-12SA-CE10	B	BLACK		X			X			1
DT06-12SA-CE11	DT06-12SA-CE11	B	BLACK		X			X	X		2
DT06-12SA-CE12	DT06-12SA-CE12	B	BLACK		X			X		X	3
DT06-12SX-CE13	DT06-12SX-CE13	B	ALL		X			X		X	3
DT06-12SX-E003	DT06-12SX-E003	B	ALL	X					X		2
DT06-12SA-E005	DT06-12SA-E005	A	BLACK	X							1
DT06-12SX-E008	DT06-12SX-E008	B	ALL	X						X	3
DT06-12SX-EP04	DT06-12SX-EP04	C	ALL	X					X		2
DT06-12SX-EP06	DT06-12SX-EP06	C	ALL	X				X	X		2
DT06-12SA-EP07	DT06-12SA-EP07	A	BLACK	X				X			1
DT06-12SA-EP08	DT06-12SA-EP08	B	BLACK	X				X	X		2
DT06-12SA-EP11	DT06-12SA-EP11	A	BLACK	X				X		X	3
DT06-12SX-EP20	DT06-12SX-EP20	A	ALL	X				X		X	3
DT06-12SX-P004	DT06-12SX-P004	B	ALL	X							1
DT06-12SX-P012	DT06-12SX-P012	B	ALL	X				X			1

4 "E" IDENTIFIES E-SEAL, LOCATED APPROX. AS SHOWN.

3 MATERIAL: HOUSING: PA66 GF15, SEE TABLE FOR COLOR
 SHORT, LONG CAP: PA66 GF15, SEE TABLE FOR COLOR
 GROMMET: E-SEAL VMO (BURNT RED)
 N-SEAL VMO (RED-ORANGE)
 BLOCKED VMO (RED-ORANGE)
 FRONT SEAL: VMO (RED-ORANGE),

2. THIS PLUG MATES WITH DT04-12PX-XXXX RECEPTACLE.
 (XXXX = ALL MODIFICATION)

1. SECONDARY WEDGE LOCK SOLD SEPARATELY: W12S-XXXX.
 (XXXX = ALL MODIFICATIONS)
 W12S OR W12S-P012 MAY BE USED WITH THESE PLUGS,
 W12S-P012 IS RECOMMENDED.

NOTE: UNLESS OTHERWISE SPECIFIED

6 MARKING FOR PARTS PRODUCED IN CHINA:

-XXXX IDENTIFIES THE MODIFICATION NUMBER, IF APPLICABLE. EXAMPLE: *E003 FOR DT06-12SX-E003, OR BLANK FOR DT06-12SX

-DATE CODE: IDENTIFIES THE YEAR, MONTH, DAY AND HOUR OF ASSEMBLY.
 YEAR: FIRST AND SECOND DIGITS. (17 = 2017)
 MONTH: THIRD DIGIT, EXCLUDING I. A = JAN, B = FEB, C = MARCH... (K = OCTOBER)
 DAY: FOURTH AND FIFTH DIGITS (14 = 14th DAY)
 HOUR: SIXTH AND SEVENTH DIGITS (11 = 11AM)

-DIAL DATE CODE LOCATED ON HOUSING AND/OR CAP.
 -CN LOCATED ON HOUSING AND/OR CAP.

5. FOR CONTACTS AND WIRE PERFORMANCE AND APPLICATION CHARACTERISTICS SEE CUSTOMER DRAWING 0425-015-0000.

7 MARKING FOR PARTS PRODUCED IN US:

-DATE CODE:
 YEAR TO BE LAST NUMERICAL DIGIT,
 EX: 1=2021
 MONTH USES SEQUENTIAL ALPHA CHARACTERS,
 EX: A=JANUARY

CONTACT SIZE	WIRE RANGE	INSULATION OD SEALING RANGE	SEAL IDENTIFICATION
16	14-20 AWG [2.5-0.5 mm ²]	.088-.145 [2.23-3.68] .053-.120 [1.35-3.05]	STANDARD SEAL EXTRA THIN SEAL E-SEAL

THIS DRAWING IS A CONTROLLED DOCUMENT.

TE Connectivity

12 WAY PLUG, STANDARD SEAL
 EXTRA THIN SEAL, SHORT AND LONG CAP
 DT SERIES

4A | 4AFU8 | DT06-12SX-XXXX

SCALE 2:1 SHEET 1 OF 3 REV A

REVISIONS				
P	LTN	DESCRIPTION	DATE	APVD
-	SEE SHEET 1			

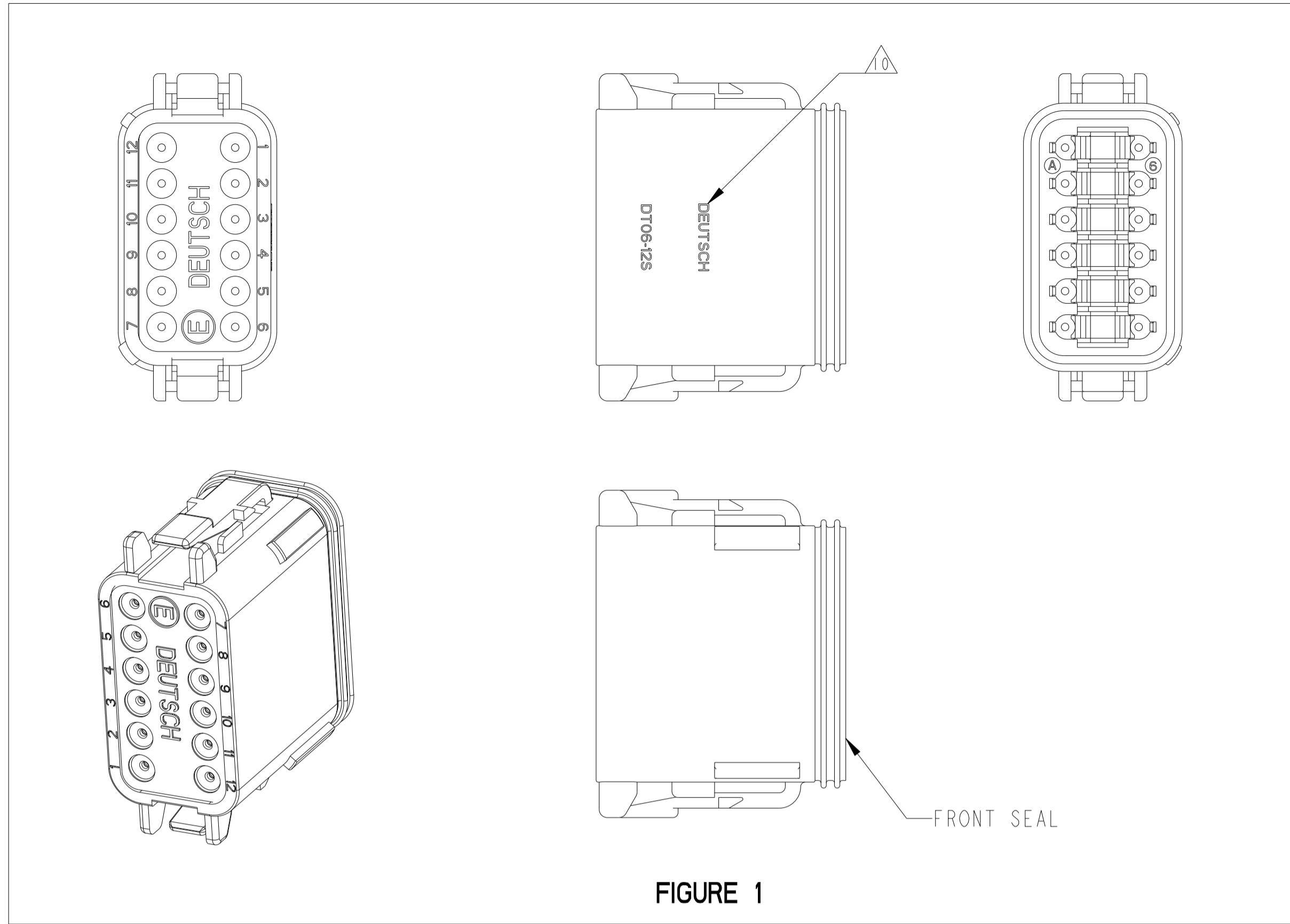


FIGURE 1

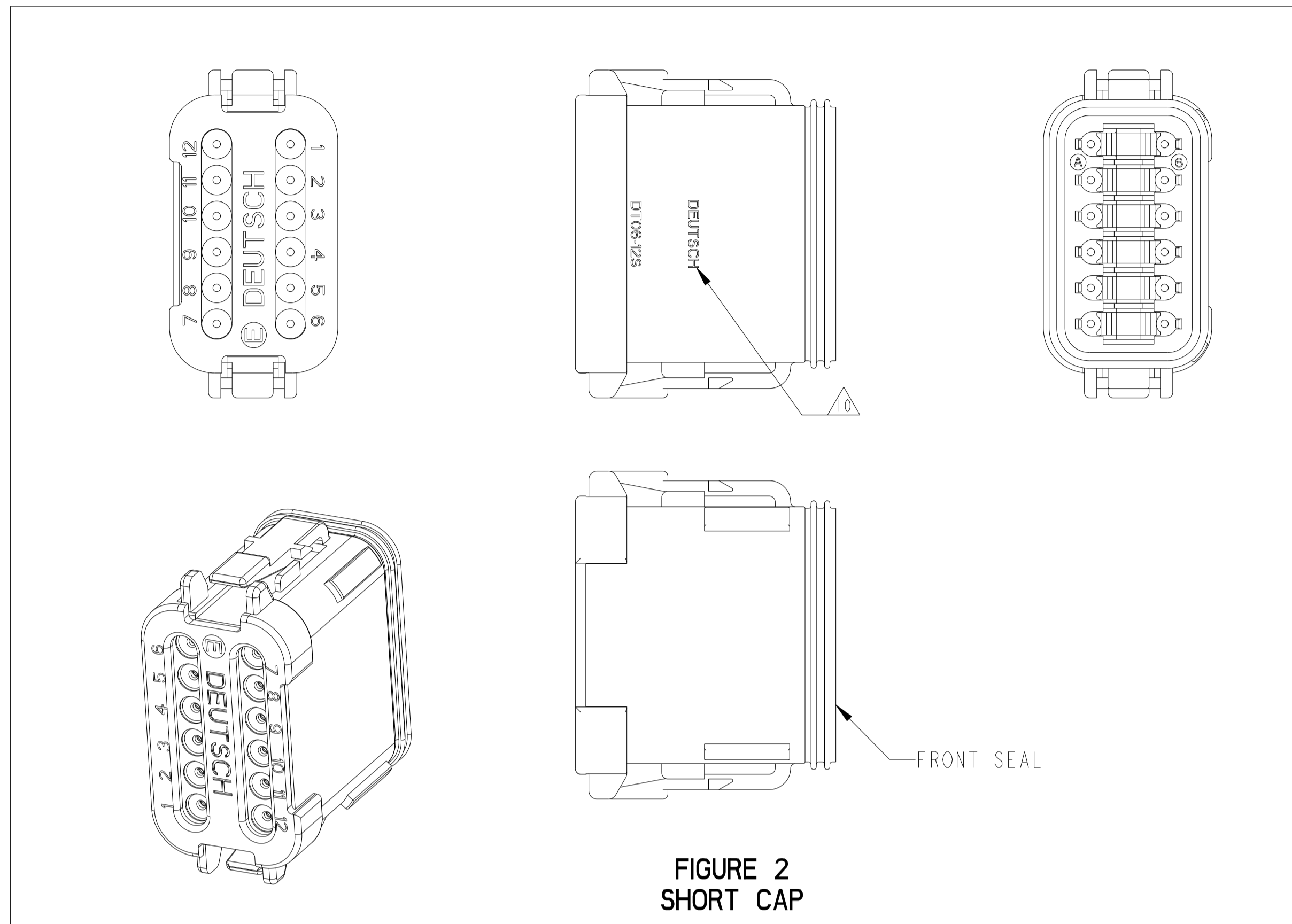


FIGURE 2
SHORT CAP

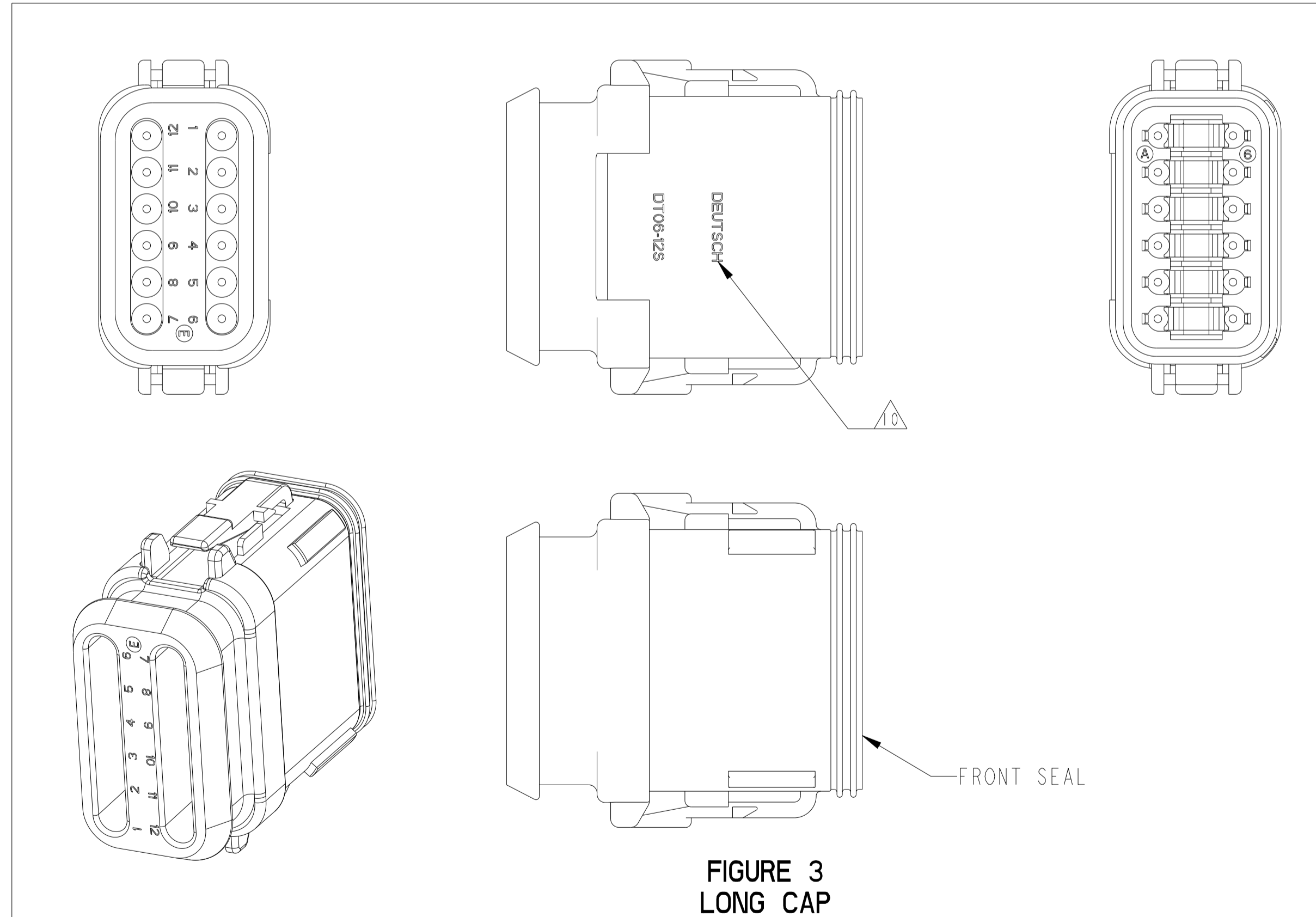


FIGURE 3
LONG CAP

AFFECTED PART NUMBERS	PN REV	COLOR	STANDARD SEAL	EXTRA THIN SEAL E-SEAL	BLOCKED SEAL	SHORT CAP	LONG CAP	FIGURE
DT06-12SX	-	ALL	X					1
DT06-12SX-C015	A	ALL		X				1
DT06-12SX-C017	-	ALL			X	X		2
DT06-12SX-CE01	B	ALL		X		X		2
DT06-12SA-CE02	A	BLACK		X				1
DT06-12SA-CE03	-	BLACK		X		X		2
DT06-12SX-CE04	A	ALL		X			X	3
DT06-12SX-E003	A	ALL	X			X		2
DT06-12SA-E005	-	BLACK	X					1
DT06-12SX-E008	A	ALL	X				X	3
DT06-12SX-EP04	B	ALL	X			X		2
DT06-12SX-P004	A	ALL	X					1

△ PARTS IN THE STANDARD TYPE CONFIGURATION WILL HAVE 'DEUTSCH' ID TEXT ON THE HOUSING.

9. SECONDARY WEDGE LOCK SOLD SEPARATELY: W12S. W12S MUST BE USED WITH THE STANDARD TYPE PLUGS.

△ THE AFFECTED PARTS NUMBERS LISTED ARE CHANGING FROM STANDARD TYPE SEAL (SHEET 2) TO RETENTION TYPE SEAL (SHEET 1). PARTS WILL BE SUPPLIED FROM THE NORTH AMERICA REGION IN THE STANDARD TYPE CONFIGURATION UNTIL THE STANDARD TYPE TOOLING REACHES ITS END OF LIFE, PARTS PRODUCED IN CHINA WILL BE RETENTION TYPE ONLY.

THIS DRAWING IS A CONTROLLED DOCUMENT.

OWN: R. MUKESH	22NOV2021	
CHK: R. MESSENGER	22NOV2021	
APVD: I. GRANTCHAROVA	25NOV2021	
PRODUCT SPEC: 108-151009	APPLICATION SPEC: 114-151009	

NAME: 12 WAY PLUG, STANDARD SEAL, EXTRA THIN SEAL, SHORT AND LONG CAP DT SERIES

SIZE: A | CAGE CODE: 4AFU8 | DRAWING NO: DT06-12SX-XXXX

MATERIAL: CUSTOMER DRAWING | FINISH: | WEIGHT: | SCALE: 2:1 | SHEET 2 OF 3 | REV A

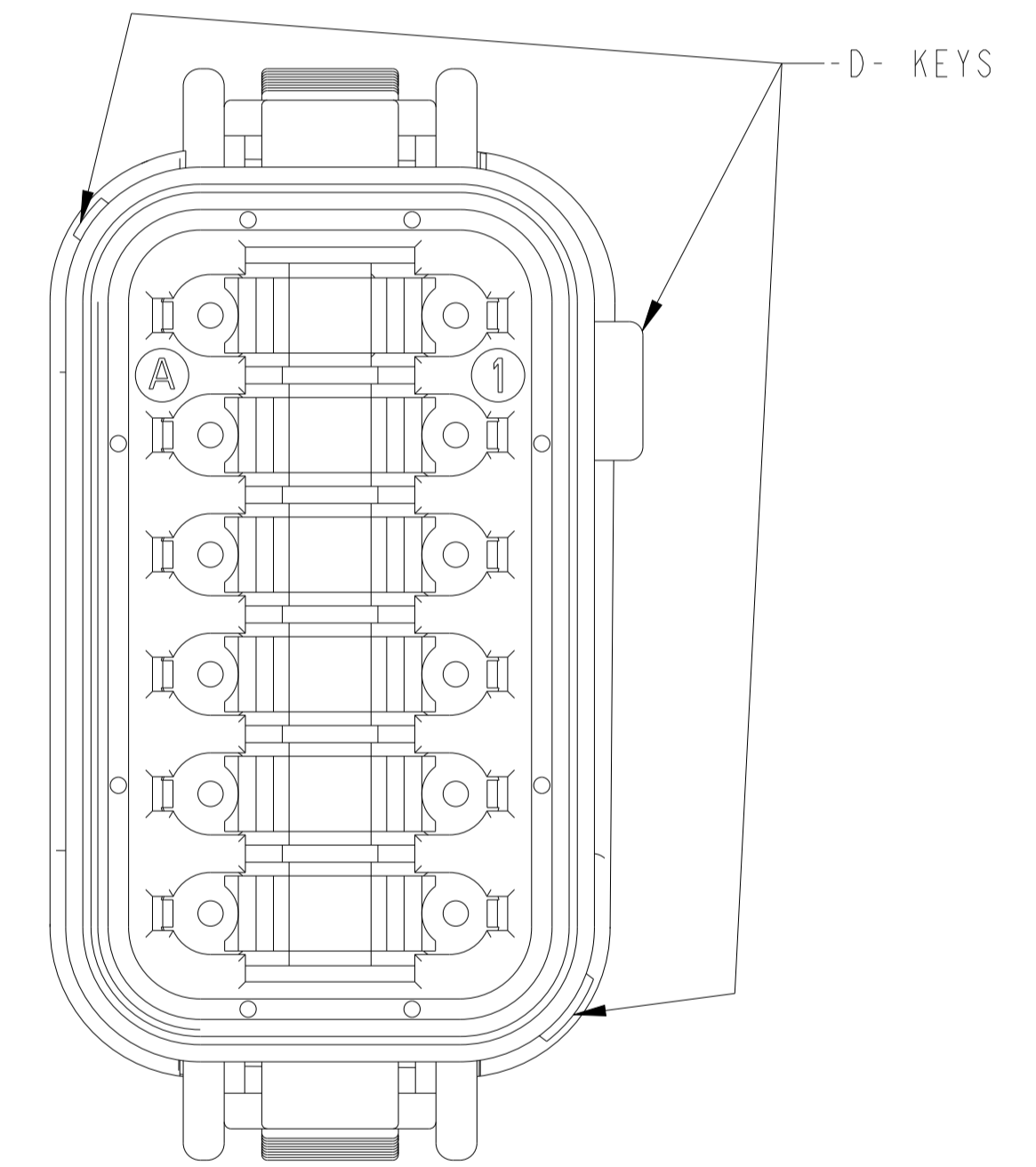
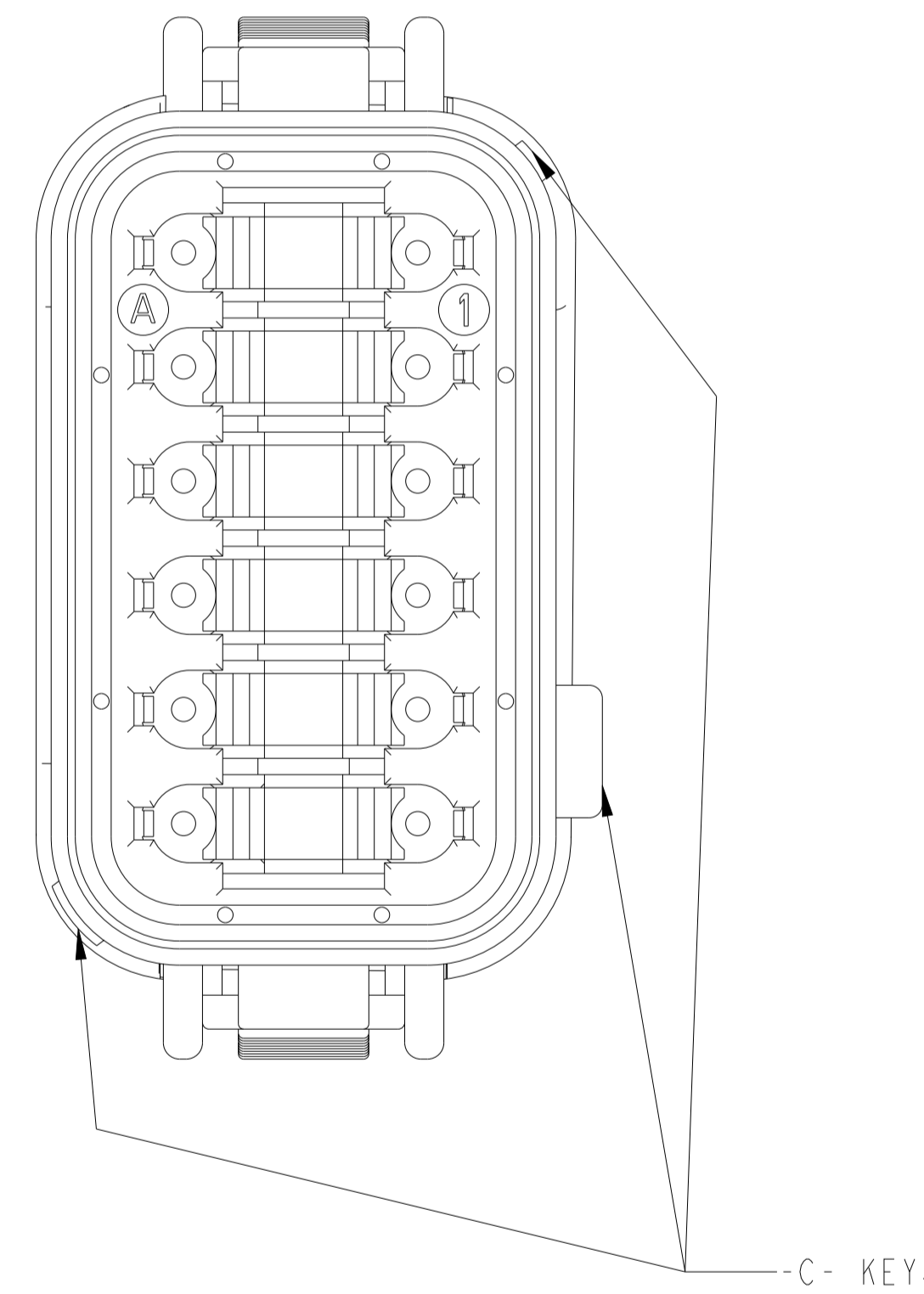
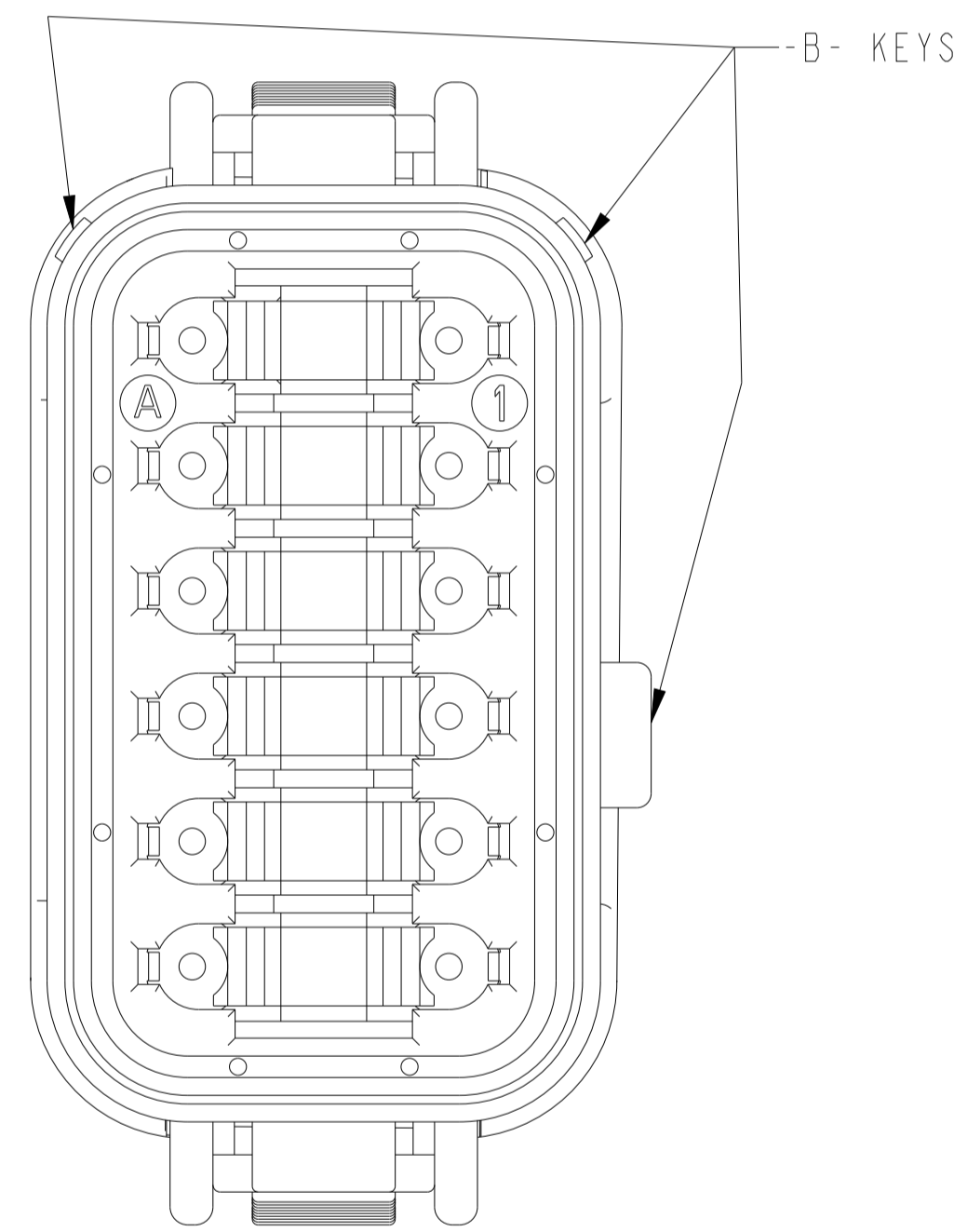
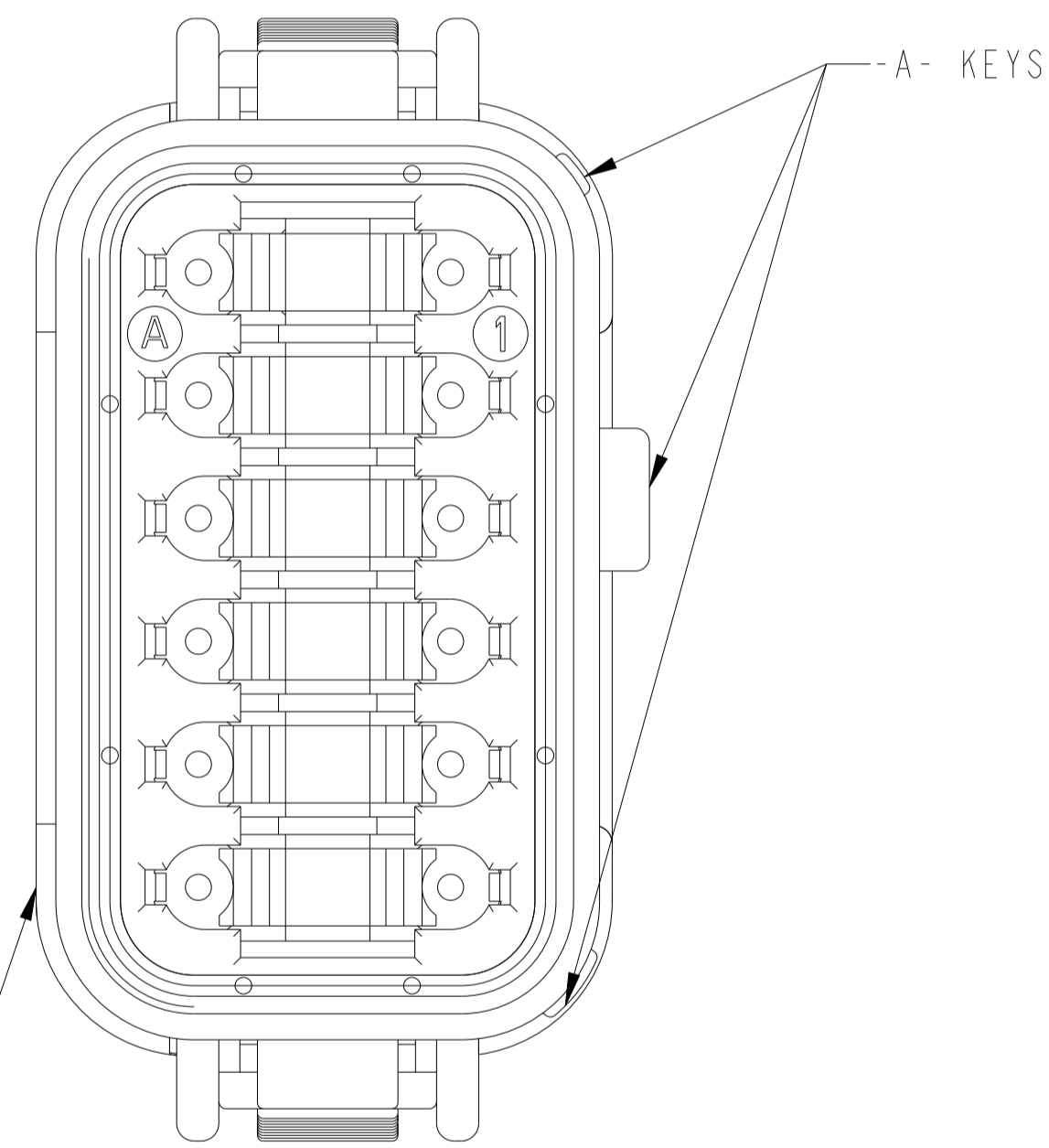
REVISIONS				
P	LTN	DESCRIPTION	DATE	APVD
-		SEE SHEET 1	-	-

DT06-12SA-XXXX
KEY ARR. -A-
COLOR: GRAY
SEE PN TABLE FOR BLACK PNs.

DT06-12SB-XXXX
KEY ARR. -B-
COLOR: BLACK

DT06-12SC-XXXX
KEY ARR. -C-
COLOR: GREEN

DT06-12SD-XXXX
KEY ARR. -D-
COLOR: BROWN



ALTERNATE CAP
CUTOUT POSITION
SHORT CAP ONLY
ALL KEYS

THIS DRAWING IS A CONTROLLED DOCUMENT.		DWN R. MUKESH 22NOV2021	
DIMENSIONS: IN[mm]		CHK R. MESSENGER 22NOV2021	
TOLERANCES UNLESS OTHERWISE SPECIFIED:		APVD I. GRANTCHAROVA 25NOV2021	NAME 12 WAY PLUG, STANDARD SEAL EXTRA THIN SEAL, SHORT AND LONG CAP DT SERIES
0 PLC ±	1 PLC ±	PRODUCT SPEC 108-151009	RESTRICTED TO
2 PLC ±	3 PLC ±0.25(0.64)	APPLICATION SPEC	SIZE CAGE CODE DRAWING NO
4 PLC ±	ANGLES ±0°30'0"	114-151009	A 4AFU8 ©=DT06-12SX-XXXX
MATERIAL FINISH		WEIGHT	SCALE 5:1 SHEET 3 OF 3 REV A
CUSTOMER DRAWING			