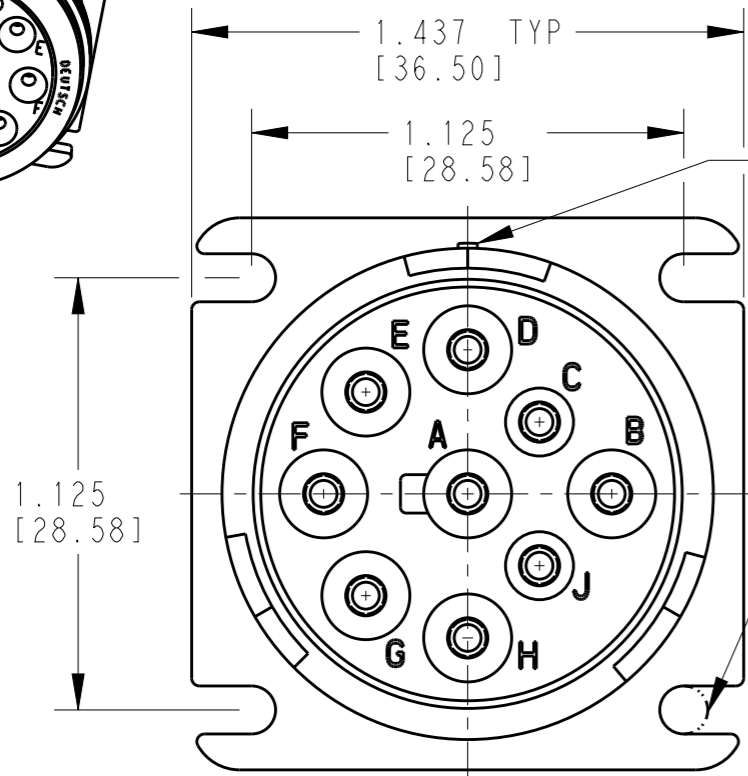
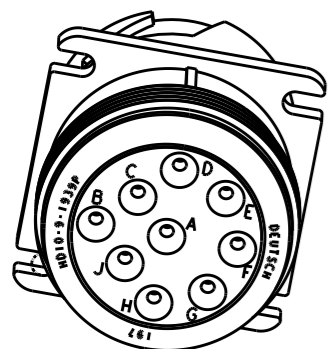
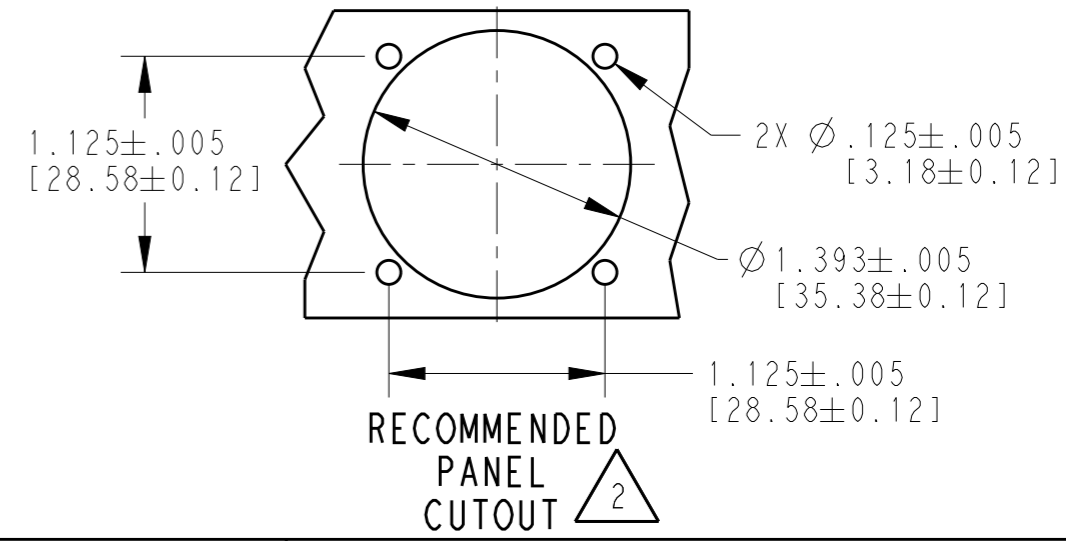
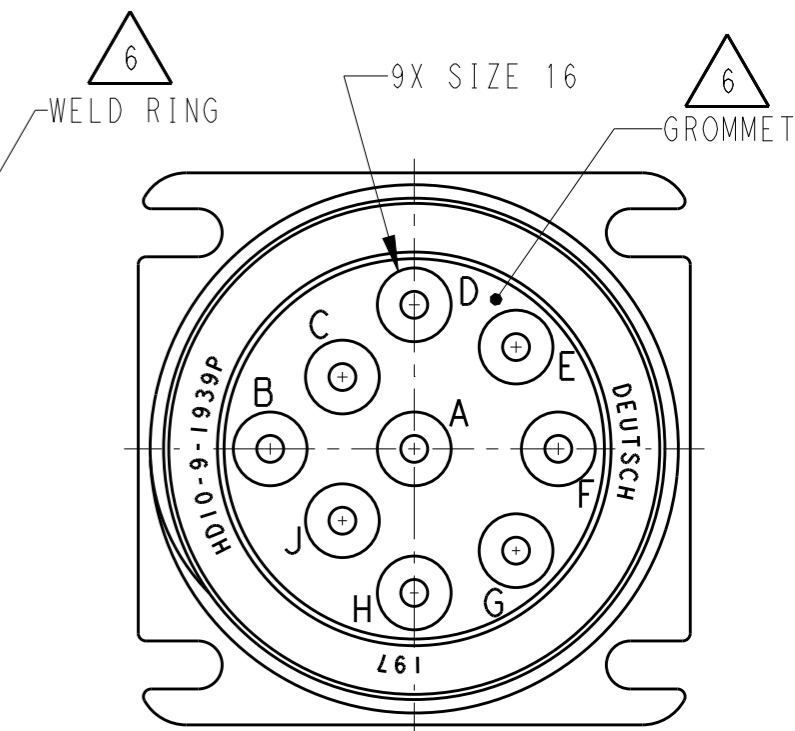
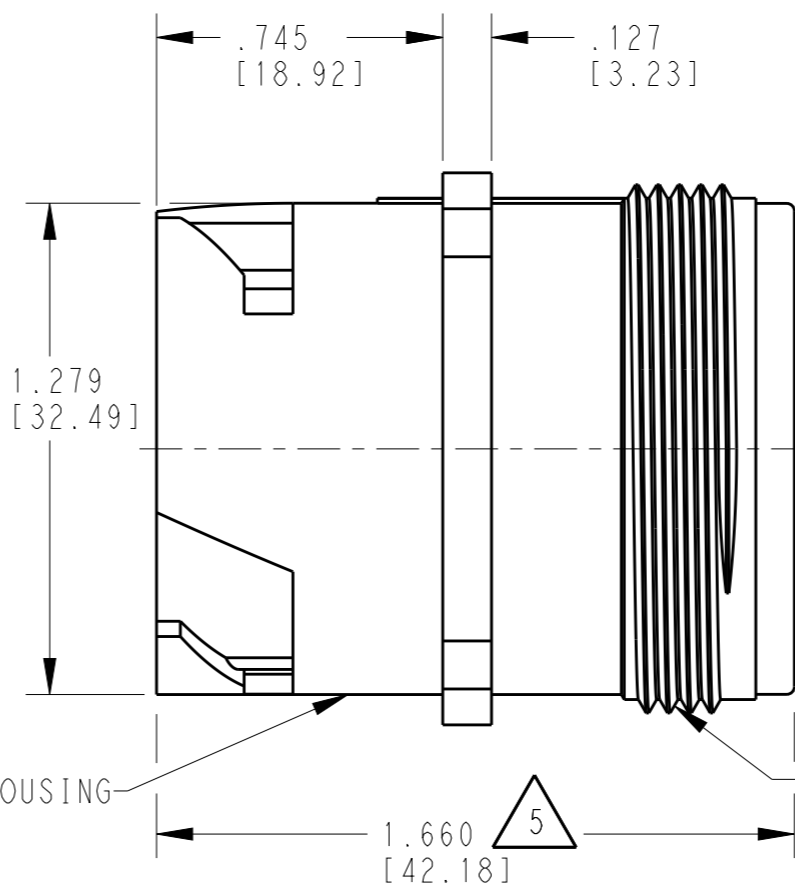


LOC	DIST	REVISIONS			
P	LTR	DESCRIPTION	DATE	DWN	APVD
	D	REVISED PER E.O. P17743	27DEC2002	XS	RDR
	E	REVISED PER E.O. P21397	06JUN2012	IG	RDR
	E1	REVISED PER ECO-14-002953	29JAN2014	PV	DM
	E2	REVISED PER ECO-15-004387	20MAR2015	JA	DM



MAIN POLARIZING RIB

Ø .125 ± .015 [3.18 ± .38]  
 (PHANTOM LINE FOR CLARIFICATION ONLY)



6 MATERIAL: RECEPTACLE HOUSING AND WELD RING: PA 15%GF (BLACK)  
 GROMMET: SILICONE (RED).

5 OVERALL DIMENSION DOES NOT INCLUDE RUBBER GROMMET.

4. THIS RECEPTACLE MATES WITH FOLLOWING H PLUGS (X=SEAL TYPE, XXXX = ALL MODIFICATIONS).  
 HD16-9-1939SX-XXXX  
 HD17-9-1939SX-XXXX

3 SEE DRAWING 0425-015-0000 FOR CONTACT AND WIRE PERFORMANCE AND APPLICATION CHARACTERISTICS.

2 MAXIMUM PANEL THICKNESS IS .250 [6.35] IF MATING WITH HD17-9-1939SX-XXXX PLUG  
 THE MAXIMUM PANEL THICKNESS IS .225 [5.71].

1. SEE TABLE FOR USABLE WIRE RANGE AND INSULATION RANGE.

CONTACT SIZE	MINIMUM O.D.	MAXIMUM O.D.	WIRE RANGE [mm <sup>2</sup> ]
16	.100 [2.54]	.150 [3.81]	14-20 AWG [2.0-.50]

NOTES:

THIS DRAWING IS A CONTROLLED DOCUMENT.		DWN 08AUG1998 J. NORRIS	TE Connectivity	
DIMENSIONS: INCHES [mm]		CHK 16SEP2013 ILINA GRANICHAROVA		
TOLERANCES UNLESS OTHERWISE SPECIFIED:		APVD 18SEP2013 DAVID MEYER	NAME RECEPTACLE CONNECTOR SQUARE FLANGE HD10 SERIES ARR. 9-1939 COLOR: BLACK	
0 PLC ± 1 PLC ± 2 PLC ± 3 PLC ±.025 [0.64] 4 PLC ± ANGLES ±0°30'0"		PRODUCT SPEC 0425-015-0000	SIZE A3 CAGE CODE 4AFU8 DRAWING NO. HD10-9-1939P RESTRICTED TO -	
MATERIAL 6	FINISH N/A	APPLICATION SPEC 3	SCALE 2:1 SHEET 1 OF 1 REV E2	
Customer Drawing		WEIGHT 41.19g		