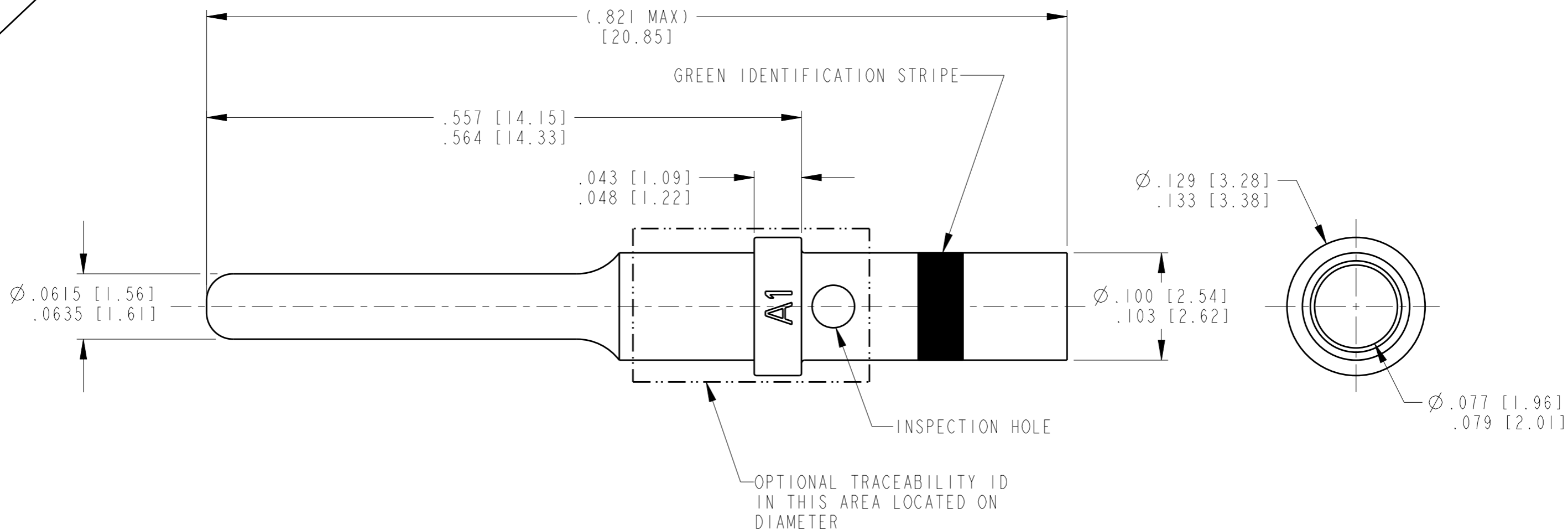
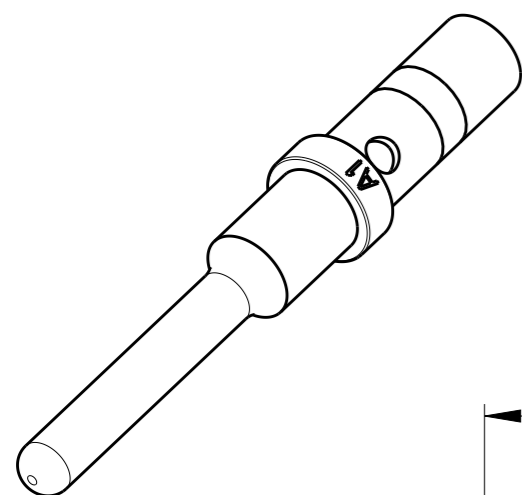


REVISIONS					
P	LTR	DESCRIPTION	DATE	DWN	APVD
	E	REVISED PER PCN E-18-001206	24JAN2018	JA	DM
	E1	REVISED PER PCN E-19-018080	19NOV2019	MK	DM



TE INTERNAL PN	DEUTSCH PN	PLATING
0460-215-1631	0460-215-1631	GOLD
0460-215-16141	0460-215-16141	NICKEL

(E1) I. SEE APPLICATION SPECIFICATION 114-151004 FOR CRIMP TOOLS AND WIRE RANGE.

NOTES:

THIS DRAWING IS A CONTROLLED DOCUMENT.		DWN D. SPENCER 02OCT1999		
DIMENSIONS: INCHES [mm]		CHK B. BYFORD 23JUN2000		
TOLERANCES UNLESS OTHERWISE SPECIFIED:		APVD D. MEYER 22JUN2000	NAME CONTACT, PIN SIZE 16 14 AWG WIRE [2.00mm ²]	
0 PLC ±		PRODUCT SPEC 108-151004	SIZE A3	
1 PLC ±		APPLICATION SPEC 114-151004	CAGE CODE 4AFU8	DRAWING NO 0460-215-16XX
2 PLC ±		WEIGHT 0.54g	RESTRICTED TO	
3 PLC ±		CUSTOMER DRAWING	SCALE 10:1	SHEET 1 OF 1
4 PLC ±				REV E1
ANGLES ±				
FINISH				
MATERIAL				