

REVISONS		DATE	DWN	APVD
B	REVISED PER PCN E-17-010843	21MAR2018	JA	DM
B1	REVISED PER PCN E-19-004598	15MAR2019	DD	DM
C	REVISED PER PCN E-19-014633	27JUN2019	NS	RM
C1	REVISED PER PCN-23-187402	19SEP2023	OD	IG

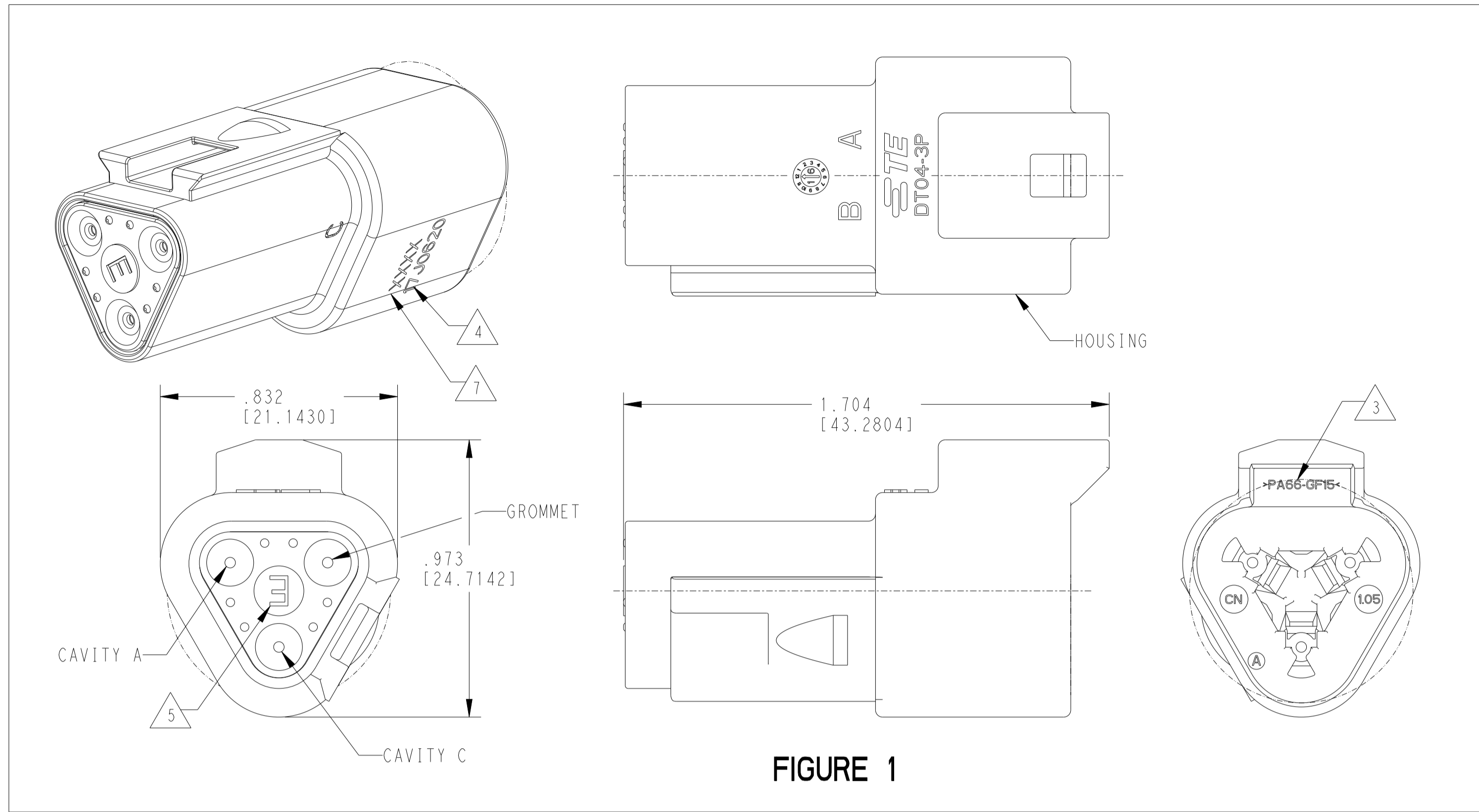


FIGURE 1

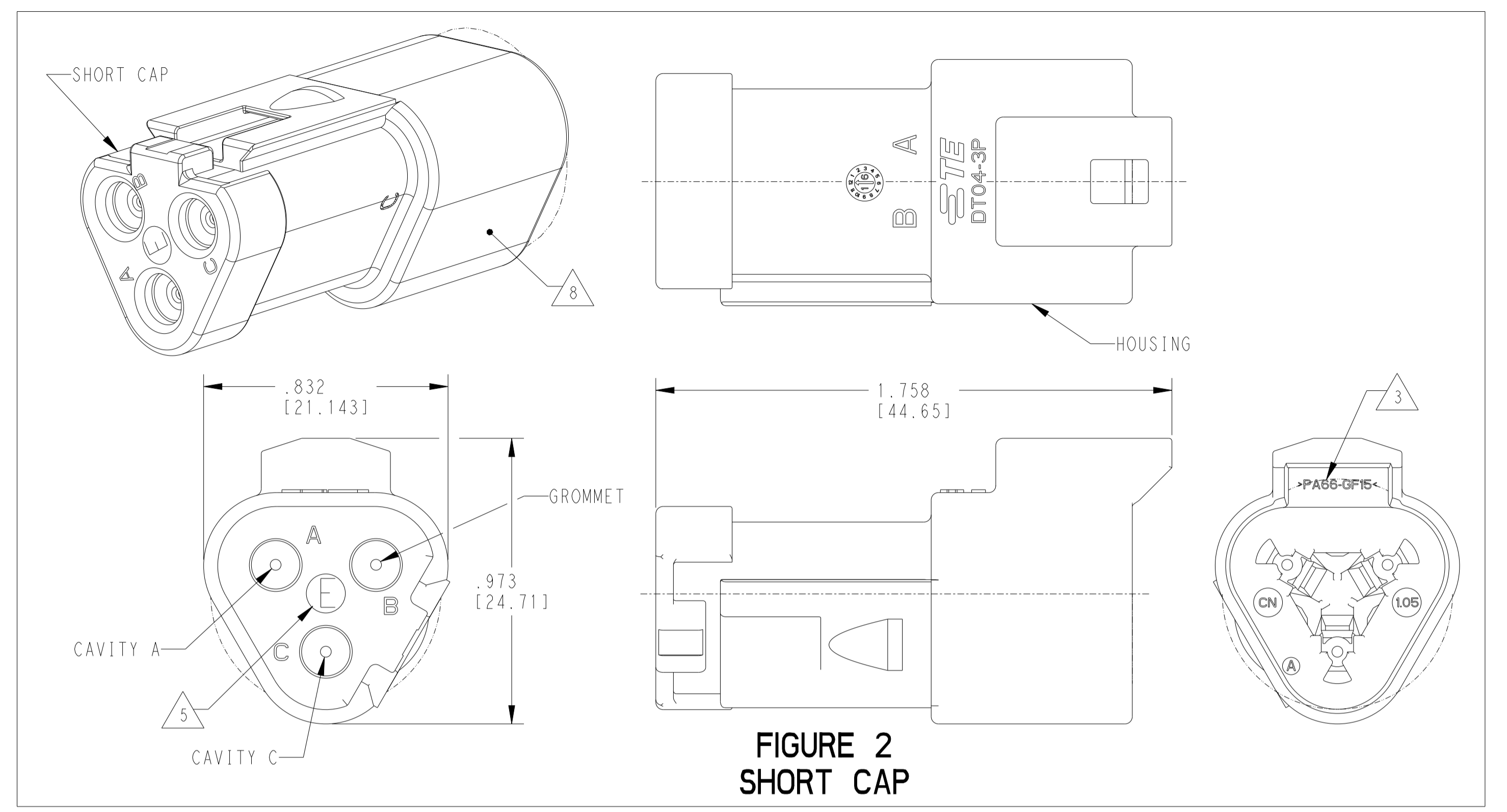


FIGURE 2
SHORT CAP

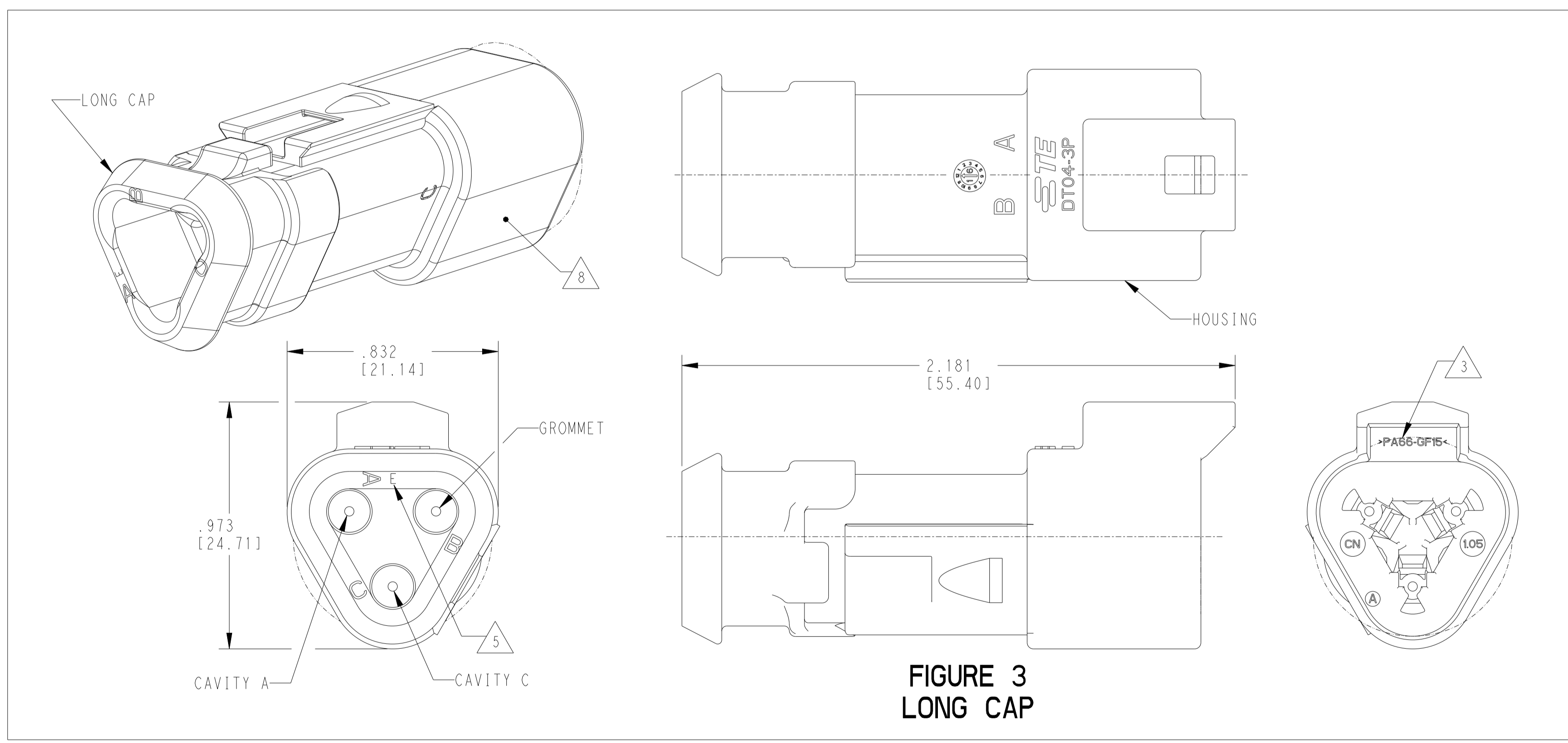


FIGURE 3
LONG CAP

CONTACT SIZE	WIRE RANGE	INSULATION OD SEALING RANGE	SEAL IDENTIFICATION
16	14-20 AWG [2.5-0.5mm ²]	.088-.145 [2.23-3.68]	STANDARD SEAL
		.053-.120 [1.35-3.05]	EXTRA THIN SEAL E-SEAL

TE INTERNAL PART NUMBER	DEUTSCH PART NUMBER	PN REV	COLOR	STANDARD SEAL GROMMET	EXTRA THIN SEAL E-SEAL GROMMET	SHORT CAP	LONG CAP	FIGURE
DT04-3P	DT04-3P	A	GREY	X				1
DT04-3P-C015	DT04-3P-C015	B	GREY		X			1
DT04-3P-CE01	DT04-3P-CE01	B	GREY		X	X		2
DT04-3P-CE04	DT04-3P-CE04	B	GREY		X		X	3
DT04-3P-E003	DT04-3P-E003	A	GREY	X		X		2
DT04-3P-E008	DT04-3P-E008	A	GREY	X			X	3
DT04-3P-EP04	DT04-3P-EP04	B	GREY	X		X		2
DT04-3P-P004	DT04-3P-P004	B	GREY	X				1
DT04-3P-CE02	DT04-3P-CE02	B	BLACK		X			1
DT04-3P-CE03	DT04-3P-CE03	B	BLACK		X	X		2
DT04-3P-CE09	DT04-3P-CE09	B	BLACK		X		X	3
DT04-3P-E004	DT04-3P-E004	A	BLACK	X				1
DT04-3P-E005	DT04-3P-E005	A	BLACK	X		X		2
DT04-3P-EE01	DT04-3P-EE01	A	BLACK	X			X	3
1-2448110-1	DT04-3P-TE09	A	BROWN		X			1
1-2448110-2	DT04-3P-TE03	A	GREEN		X			1
1-2448110-3	DT04-3P-TE07	A	BLUE		X			1
2-2448110-1	DT04-3P-TN09	A	BROWN	X				1
2-2448110-2	DT04-3P-TN03	A	GREEN	X				1
2-2448110-3	DT04-3P-TN07	A	BLUE	X				1

- 3 MATERIAL: HOUSING: PA66 GF15, SEE TABLE FOR COLOR SHORT, LONG CAP: PA66 GF15, SEE TABLE FOR COLOR GROMMET: VMQ N-SEAL: ORANGE-RED E-SEAL: BURNT RED
 - 2. THIS RECEPTACLE MATES WITH DT06-3S-XXXX PLUG. (XXXX = ALL MODIFICATIONS)
 - 1. SECONDARY WEDGE LOCK SOLD SEPARATELY: W3P-XXXX. (XXXX = ALL MODIFICATIONS)
- NOTES: UNLESS OTHERWISE SPECIFIED

- 7 XXXX IDENTIFIES THE MODIFICATION NUMBER, IF APPLICABLE. EXAMPLE: "E003" FOR DT04-3P-E003, OR BLANK FOR DT04-3P.
- 6. FOR CONTACTS AND WIRE PERFORMANCE AND APPLICATION CHARACTERISTICS SEE CUSTOMER DRAWING 0425-015-0000.
- 5 "E" IDENTIFIES E-SEAL.
- 4 DATE CODE: IDENTIFIES THE YEAR, MONTH, DAY AND HOUR OF ASSEMBLY. YEAR: FIRST AND SECOND DIGITS. (17 = 2017) MONTH: THIRD DIGIT, EXCLUDING I. A = JAN, B = FEB, C = MARCH ... (K = OCTOBER) DAY: FOURTH AND FIFTH DIGITS (14 = 14th DAY) HOUR: SIXTH AND SEVENTH DIGITS (11 = 11AM)

8 ADDITIONAL MARKING PER NOTE 4 AND 7 EXCLUSIVELY FOR PARTS WITH CAPS PRODUCED IN CHINA.

THIS DRAWING IS A CONTROLLED DOCUMENT. DWN: J. JAIME C. APOSTOL 12 JUL 2016
 CHK: D. MEYER 12 JUL 2016
 APVD: D. MEYER 12 JUL 2016
 NAME: 3 WAY RECEPTACLE, STANDARD SEAL EXTRA THIN SEAL, SHORT CAP AND LONG CAP, DT SERIES
 DIMENSIONS: in. [mm] TOLERANCES UNLESS OTHERWISE SPECIFIED:
 0 PLC ± .005 (0.127)
 1 PLC ± .005 (0.127)
 2 PLC ± .005 (0.127)
 3 PLC ± .005 (0.127)
 4 PLC ± .005 (0.127)
 ANGLES FINISH: 40° 30' 00"
 MATERIAL: 3
 WEIGHT: 114-151009
 SIZE: A1
 CAGE CODE: 4AFU8
 DRAWING NO: DT04-3P-XXXX
 RESTRICTED TO: -
 CUSTOMER DRAWING
 SCALE: 3:1 SHEET 1 OF 1 REV: C1