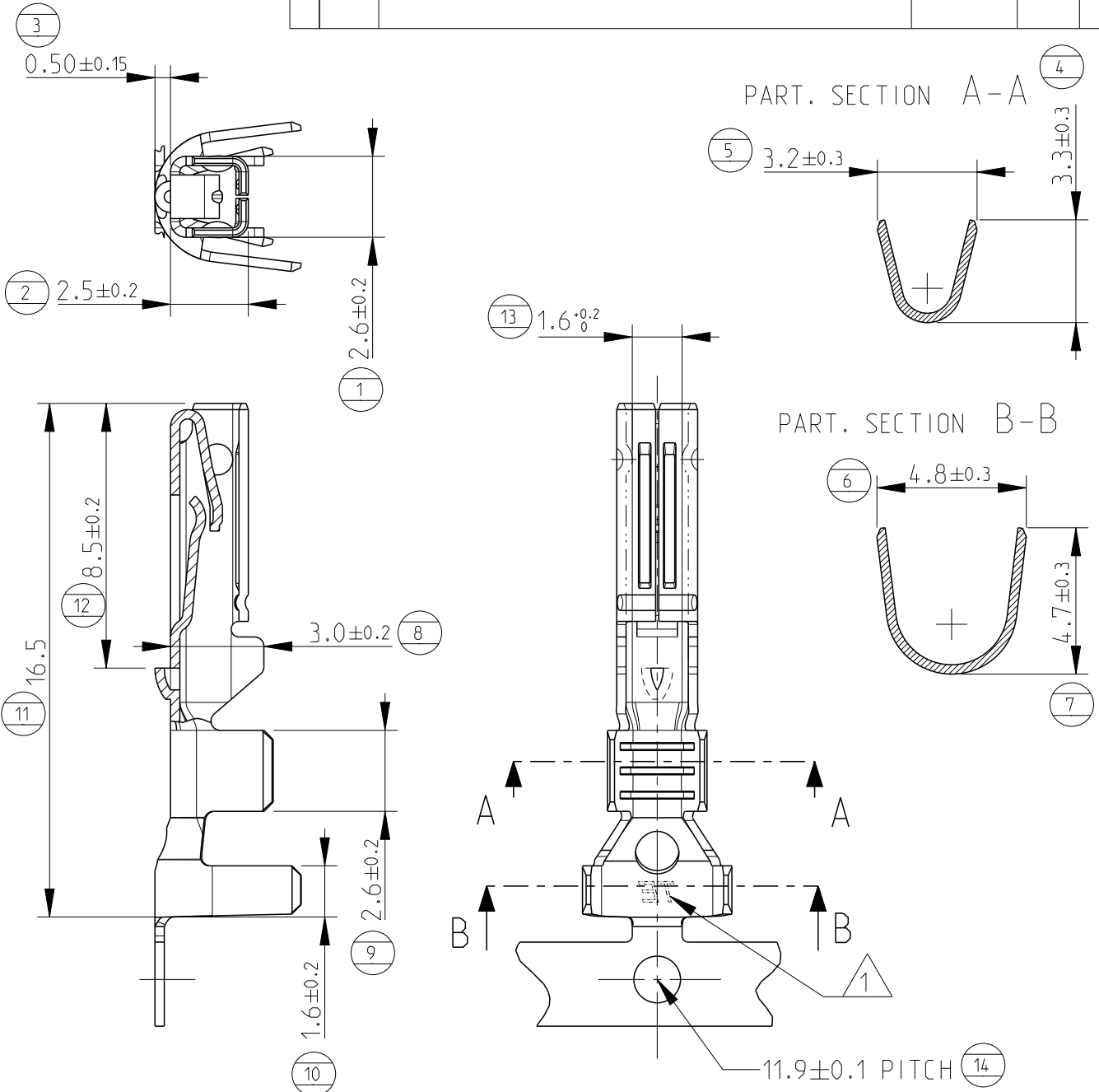


REVISIONS				
P	LTR	DESCRIPTION	DATE	DWN APVD
	D2	REVISED PER ECR-15-001967	11FEB2015	M.G. M.G.



- 1 "TE" LOGO OR, IN ALTERNATIVE, "AMP" LOGO
- 2) SUITABLE FOR SINGLE WIRE SEAL P/N 281934-...
- 3) WIRE SIZE RANGE: 0.75-1.5mm2

P/N 282110-1 AS SHOWN

20
 RELEASED FOR PUBLICATION
 ALL RIGHTS RESERVED.
 BY -
 COPYRIGHT 20

DIMENSIONS: mm	DWN Bassano 09Nov90	MATERIAL PH. BRONZE	FINISH PRE-TIN
	CHK Bertini 09Nov90	TE Connectivity	
TOLERANCES UNLESS OTHERWISE SPECIFIED:	APVD -		
0 PLC ±	PRODUCT SPEC 108-20090	SIZE A 4	CAGE CODE 00779
1 PLC ±0.3	APPLICATION SPEC 114-20045	DRAWING NO C-282110	RESTRICTED TO -
2 PLC ±	WEIGHT 0.35gr	SCALE 5:1	
3 PLC ±	Customer Drawing	SHEET 1 OF 1	
4 PLC ±		REV D2	
ANGLES ±°			