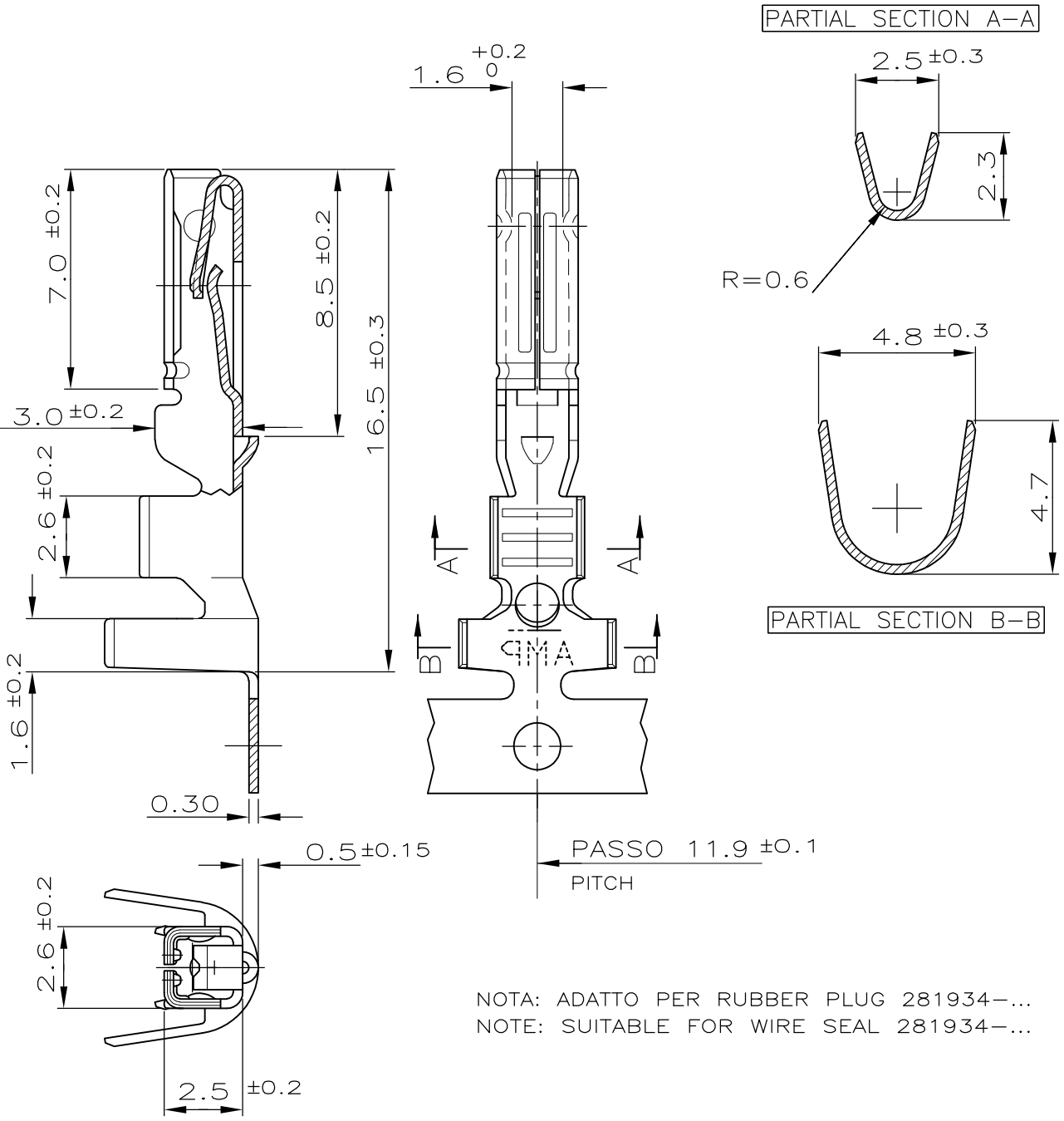



LOC	DIST	REVISIONS					
I	—	P	LTR	DESCRIPTION	DATE	DWN	APVD
			B1	REVISED PER ECO-11-005033	2APR11	RK	HMR



NOTA: ADATTO PER RUBBER PLUG 281934-...  
 NOTE: SUITABLE FOR WIRE SEAL 281934-...

CUSTOMER DWG. FOR REFERENCE ONLY	DISEGNO PER CLIENTE SOLO PER RIFERIMENTO			
-------------------------------------	---	--	--	--

DIAM. ISOLANTE (INS. DIA. RANGE) SEE NOTE	RANGO FILO (WIRE RANGE) 0.35-0.5mm <sup>2</sup>	PRE-STAGNATO / PRE-TIN (FINITURA / COLORE FINISH / COLOUR)	BRONZO FOSF./PH.BRONZE (MATERIALE) (MATERIAL)	282403-1 NUMERO (PART NUMBER)
---	---	--	---	-------------------------------------

DIMENSIONS: mm	DWN C.BERTINI	6-92	MATERIAL	-	FINISH	-
	CHK A.BRUNI	6-92	 TE Connectivity			
TOLERANCES UNLESS OTHERWISE SPECIFIED:	APVD -	PRODUCT SPEC -				
0 PLC ± -	PRODUCT SPEC	APPLICATION SPEC	SIZE	CAGE CODE	DRAWING NO	RESTRICTED TO
1 PLC ± 0.3	WEIGHT	WEIGHT	A4	00779	282403	-
2 PLC ± -	CUSTOMER DRAWING		SCALE	5:1	SHEET	1 OF 1
3 PLC ± -						REV B1
4 PLC ± -						
ANGLES ± 2°						

RELEASED FOR PUBLICATION

ALL RIGHTS RESERVED.

THIS DRAWING IS UNPUBLISHED.

By -  
 COPYRIGHT -