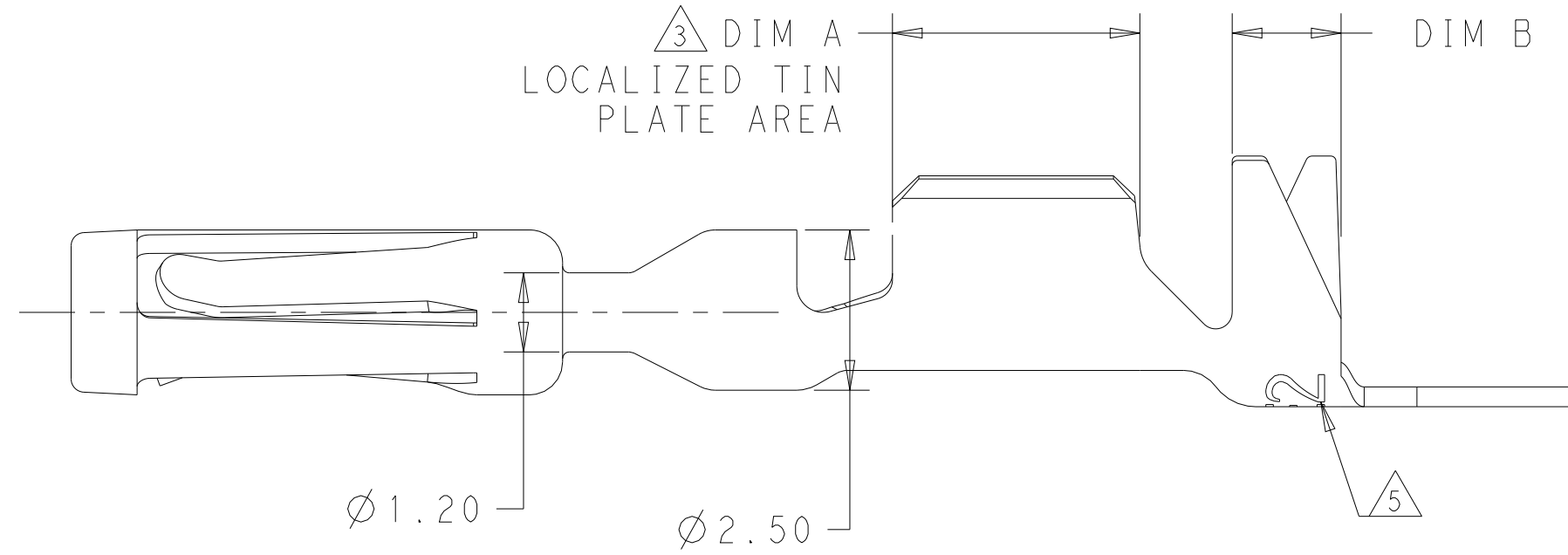
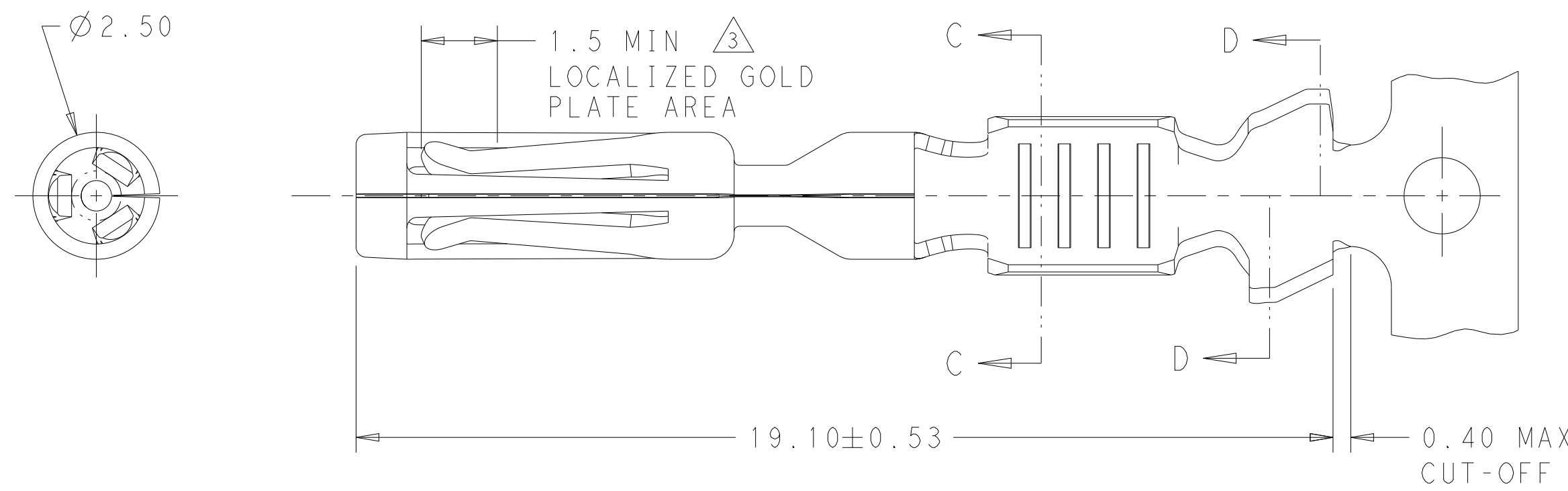


THIS DRAWING IS UNPUBLISHED. RELEASED FOR PUBLICATION 2012
 © COPYRIGHT copyright dbTeTE CONNECTIVITY ALL RIGHTS RESERVED.

REVISIONS					
P	LTR	DESCRIPTION	DATE	DWN	APVD
E3		REV PER ECN-21-124923	08NOV2021	DS	DS
F		REV PER ECN-22-140864	24FEB22	DS	DS
F1		REV PER ECR-22-140322	24MAY2022	DS	DS
F2		REV PER ECR-22-148272	02AUG2022	DS	DS



1. THE WIRE SIZES QUALIFIED FOR THIS TERMINAL ARE LISTED BELOW SHOWING THE AWG SIZE AND THE METRIC EQUIVALENT.

- 24AWG TXL - 0.22mm²
- 22AWG TXL - 0.35mm²
- 20AWG TXL - 0.5mm²
- 18AWG TXL - 0.8mm²
- 16AWG TXL - 1.5mm²

THE TERMINAL HAS ALSO BEEN QUALIFIED TO THE SPECIFIC METRIC WIRE SIZES LISTED BELOW

- 1.0mm²FLRY
- 1.5mm²FLRY

2. INSULATION RANGE:SEE TABLE 1

- 3 .00075 MIN GOLD IN THE LOCALIZED GOLD PLATE AREA, .0025 MIN MATTE TIN IN THE LOCALIZED TIN PLATE AREA OVER .00125 MIN NICKEL OVER ENTIRE CONTACT
- 4 USED WITH STANDARD WIRE SIZE AMPSEAL PLUG ASSEMBLY 776286, 776273, 770680, 776164
- 5 DIE IDENTIFIER, T275, TE2 AND TE3, LOCATED IN THIS AREA
- 6 USED WITH REDUCED WIRE SIZE AMPSEAL PLUG ASSEMBLY 2371882, 2371883, 2371884, 2371885

TABLE 1

TERMINAL PART NUMBER	WIRE SIZE		INSULATION RANGE
	mm ²	AWG	
770520-1 AND 770520-3	0.5	20 TXL	1.7-2.7
	0.8	18 TXL	
	1.0 FLRY	-	
	1.5	16 TXL	
770520-5 770520-8	0.5	20 TXL	1.4-1.8
	0.35	22 TXL	
770520-6 1-770520-1	0.35	22 TXL	1.4-1.8
	0.22	24 TXL	

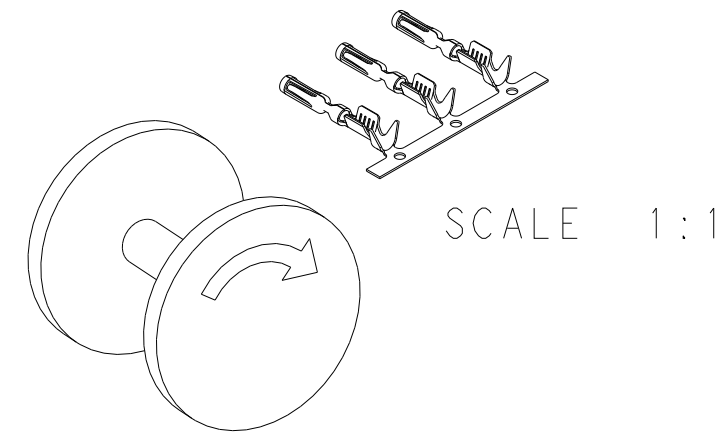


FIGURE 1
FINAL PAYOUT DIRECTION

6	-	22-24	GOLD 3	0.30 COPPER ALLOY	2.2	2.5	1-770520-1
6	-	20-22	GOLD 3		2.2	3.0	770520-8
6	-	22-24	TIN		2.2	2.5	770520-6
6	-	20-22	TIN		2.2	3.0	770520-5
4	770854-3	16-20	GOLD 3	1.65	3.75	770520-3	
4	770854-1		TIN	1.65	3.75	770520-1	
	LOOSE PIECE	WIRE GAGE AWG	FINISH	MATERIAL	DIM B	DIM A	PART NUMBER

THIS DRAWING IS A CONTROLLED DOCUMENT.

DWN: R. VESTAL 19 JUN 2012
 CHK: D. STRAUSSER 19 JUN 2012
 APVD: D. STRAUSSER 19 JUN 2012

STE TE Connectivity

NAME: CONTACT, AMPSEAL

PRODUCT SPEC: 108-1329
 APPLICATION SPEC: 114-16016

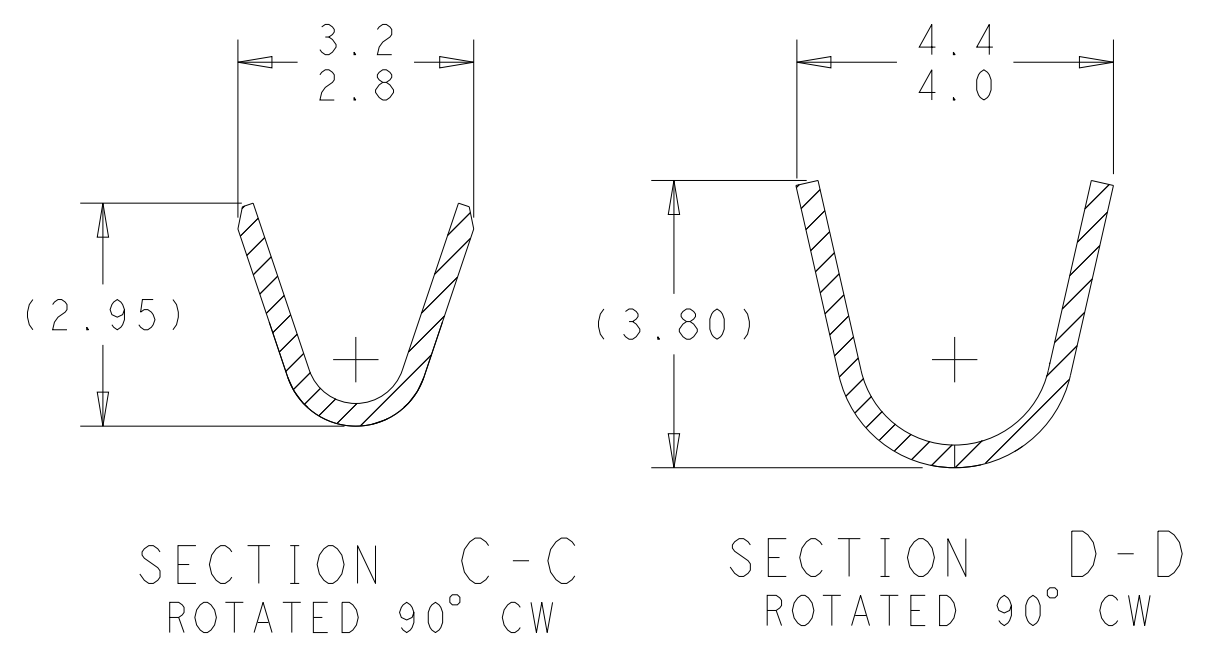
MATERIAL: SEE TABLE
 FINISH: SEE TABLE

SIZE: A2
 CAGE CODE: 00779
 DRAWING NO: C-770520

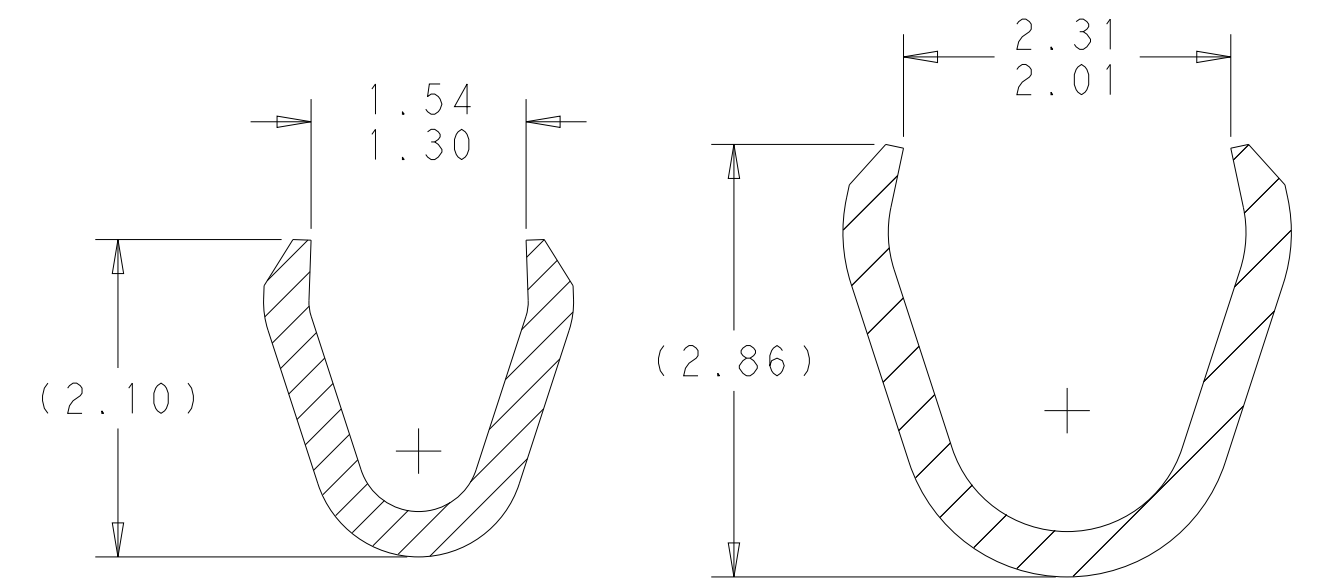
RESTRICTED TO: F2

CUSTOMER DRAWING SCALE 10:1 SHEET 1 OF 2 REV F2

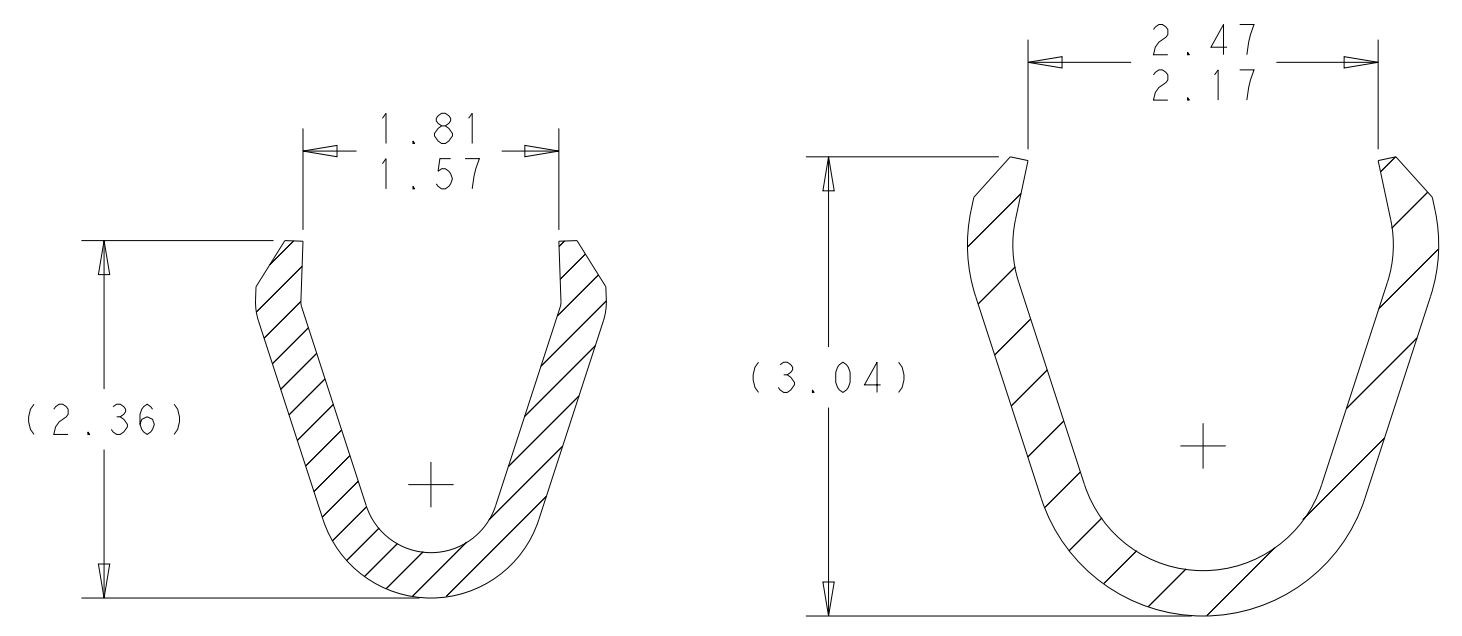
REVISIONS				
P	LTR	DESCRIPTION	DATE	APVD
-	-	SEE SHEET 1	-	-



16-20 AWG WIRE



22-24 AWG WIRE



20-22 AWG WIRE

THIS DRAWING IS A CONTROLLED DOCUMENT.		DWN R. VESTAL 19 JUN 2012	TE Connectivity	
DIMENSIONS: mm		CHK D. STRAUSSER 19 JUN 2012		
TOLERANCES UNLESS OTHERWISE SPECIFIED:		APVD D. STRAUSSER 19 JUN 2012	NAME CONTACT, AMPSEAL	
		PRODUCT SPEC 108-1329	RESTRICTED TO	
MATERIAL SEE TABLE		APPLICATION SPEC 114-16016	SIZE A200779	DRAWING NO C-770520
FINISH SEE TABLE		WEIGHT -	SCALE 10:1	SHEET 2 OF 2
CUSTOMER DRAWING		REV F2		