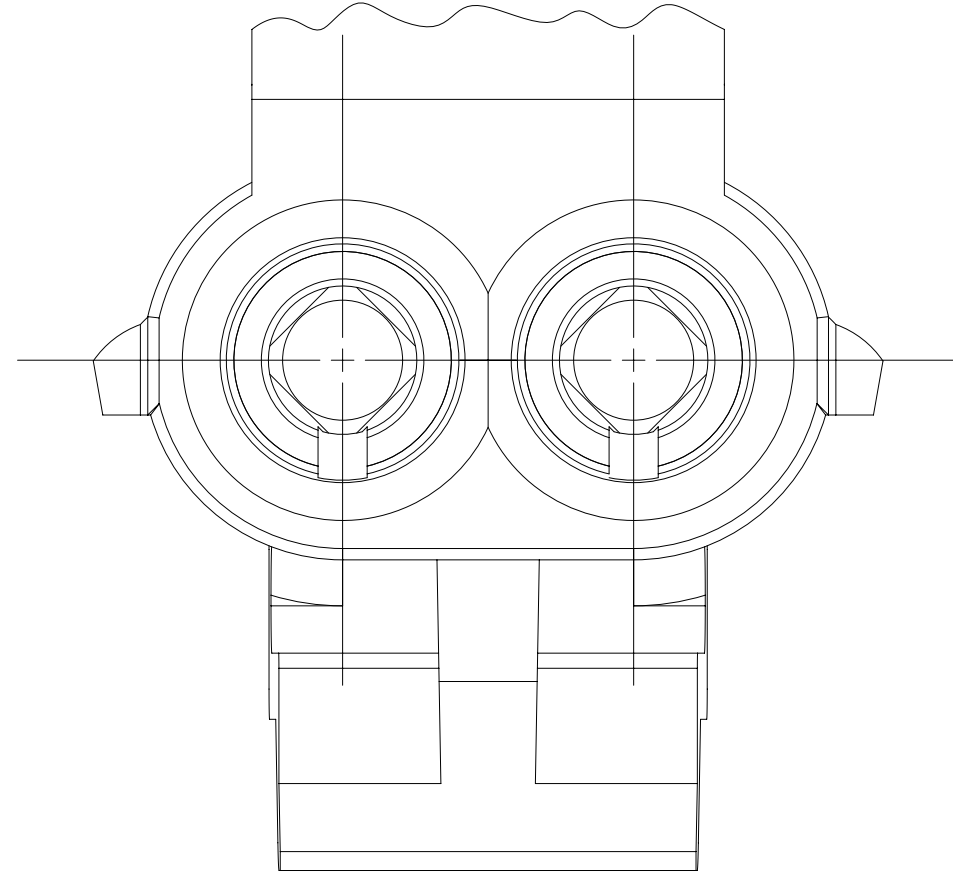
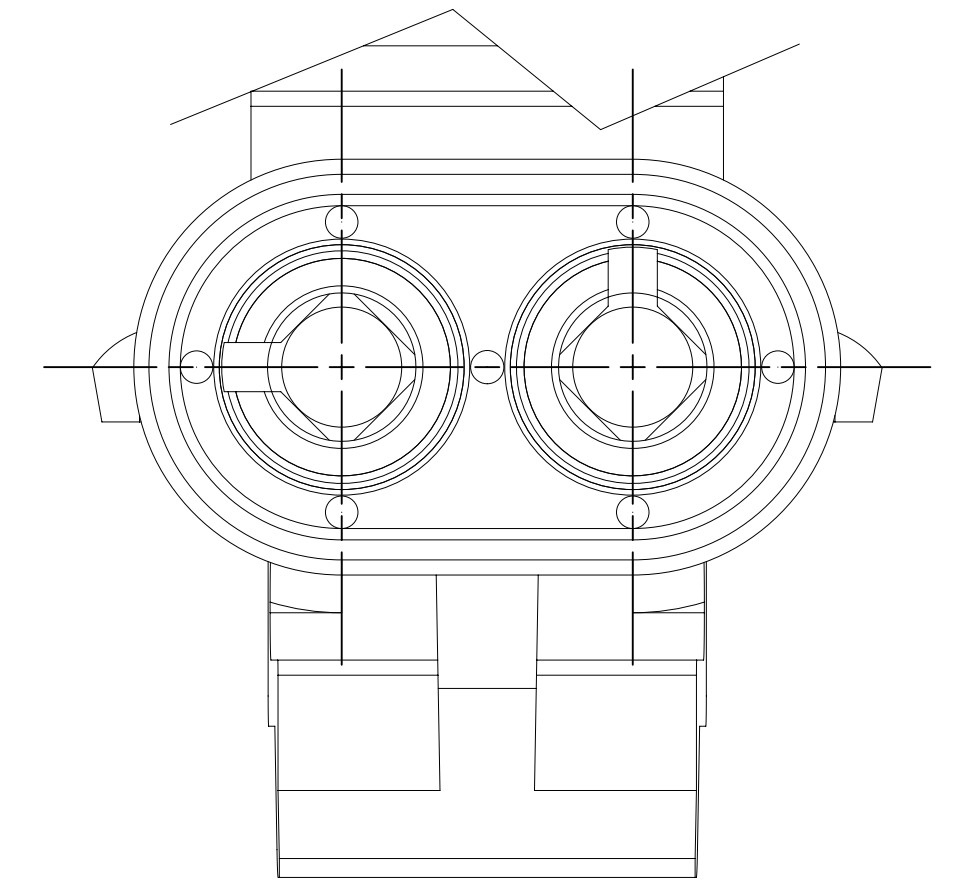


INDEX CODES
(ALSO SEE HANDBOOK)



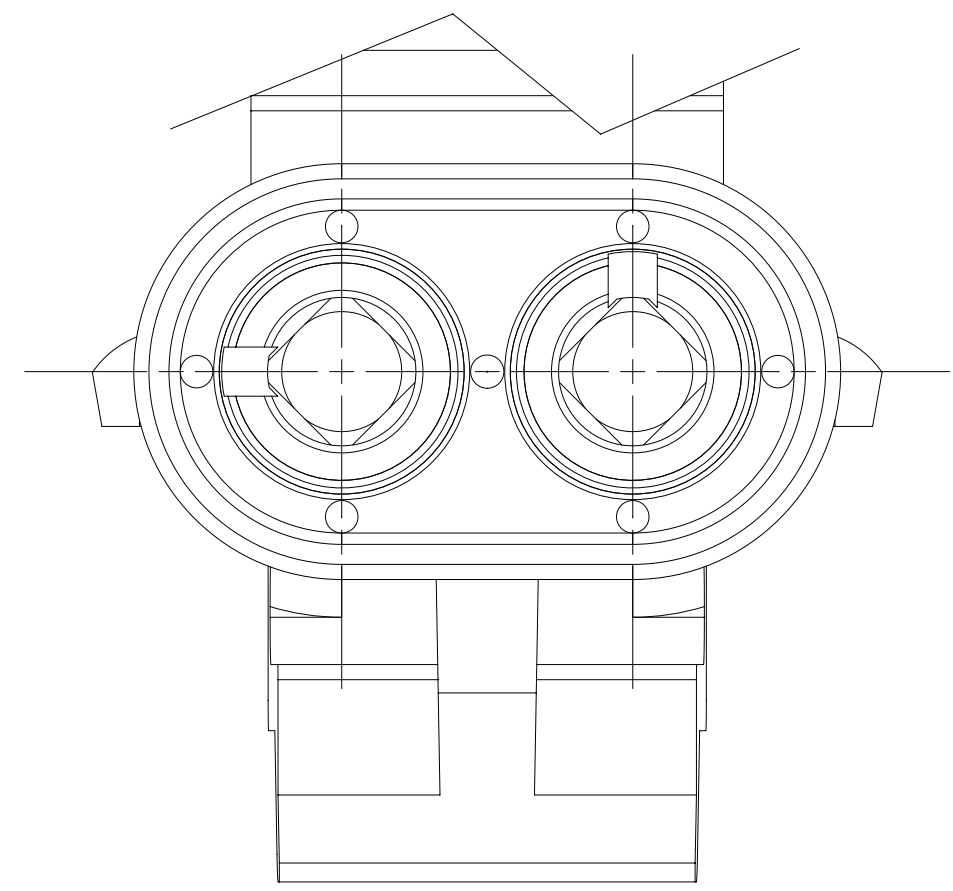
INDEX CODE
-11-

TYPE 102
SAME AS TYPE 101
EXCEPT AS SHOWN



INDEX CODE
-32-

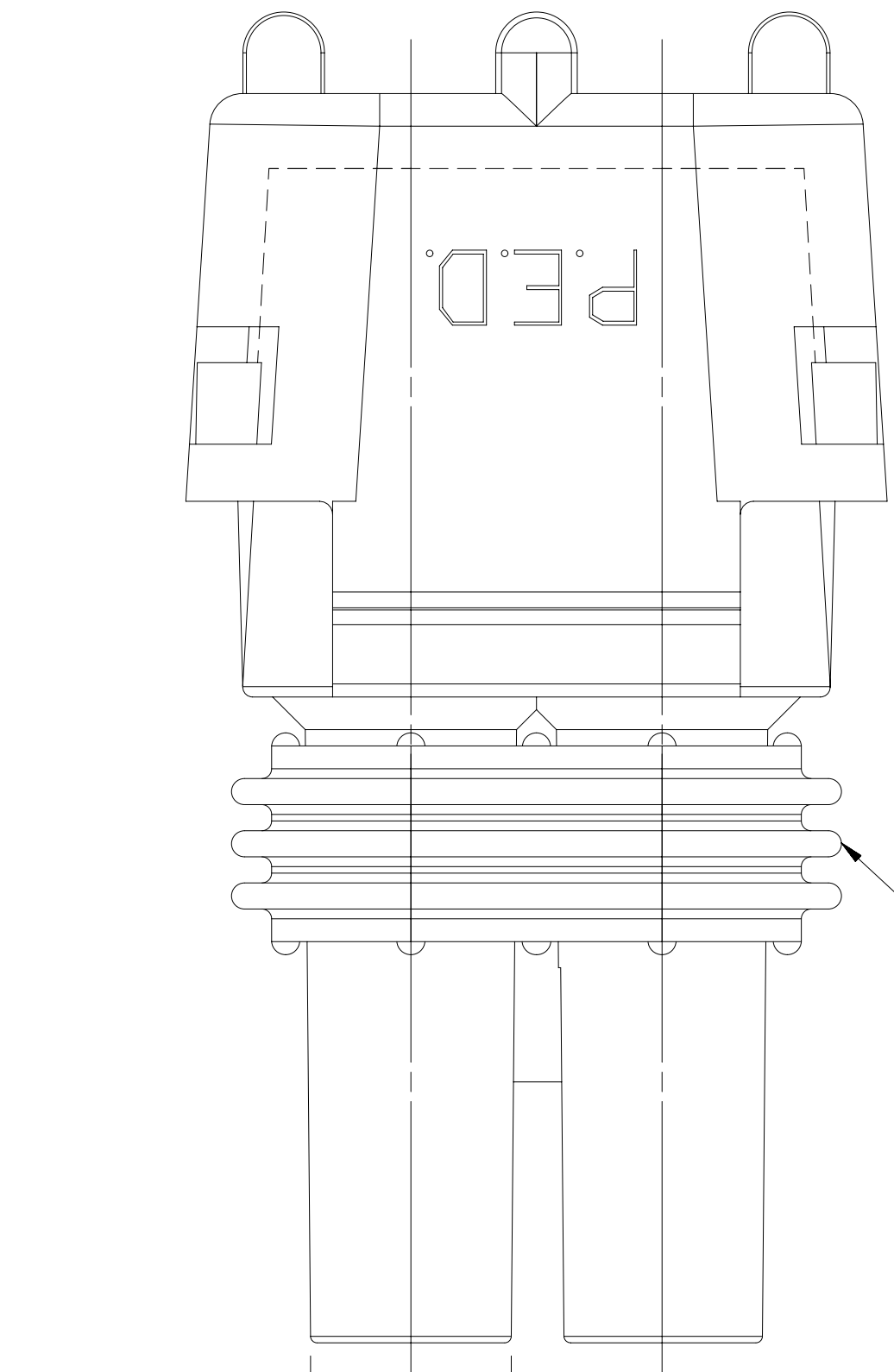
TYPE 104
SAME AS TYPE 101
EXCEPT AS SHOWN



INDEX CODE
-32-

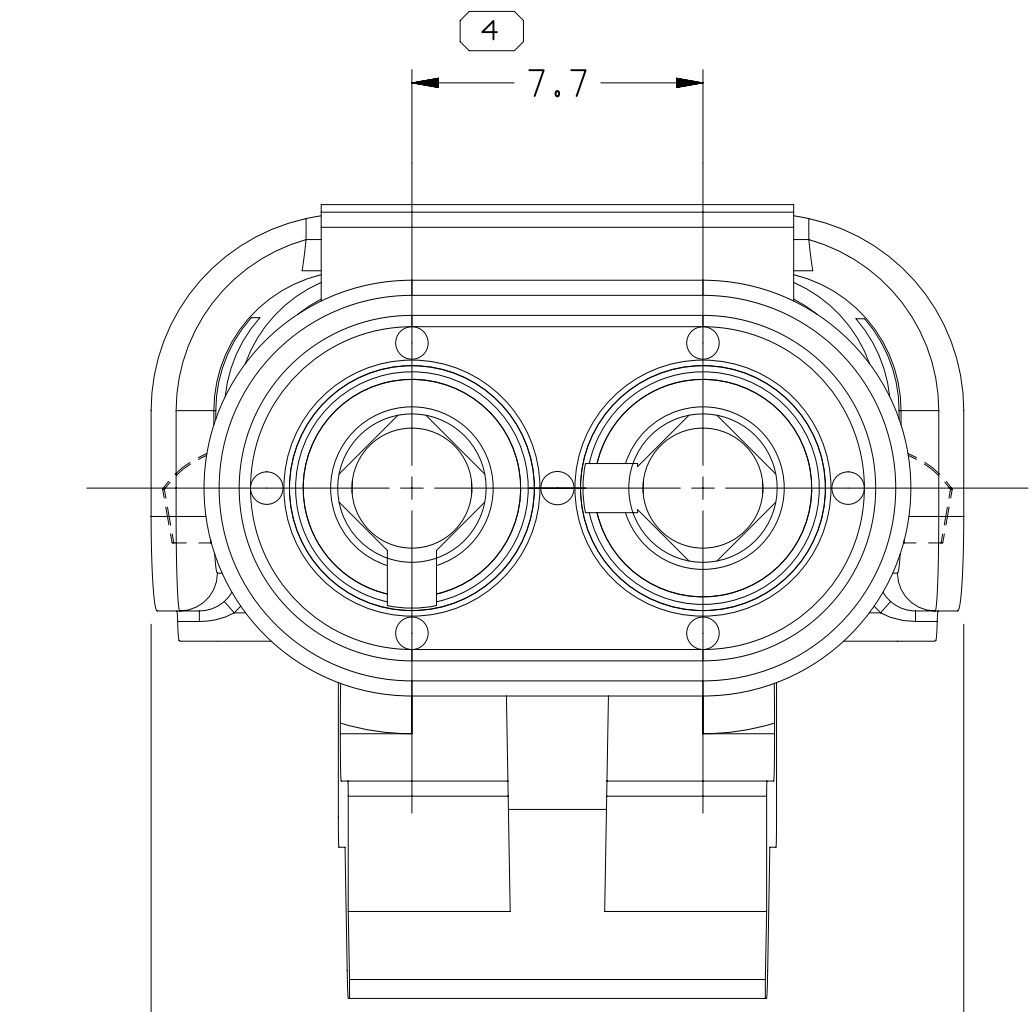
TYPE 105
SAME AS TYPE 101
EXCEPT AS SHOWN

INDEX SLOT ARRANGEMENT



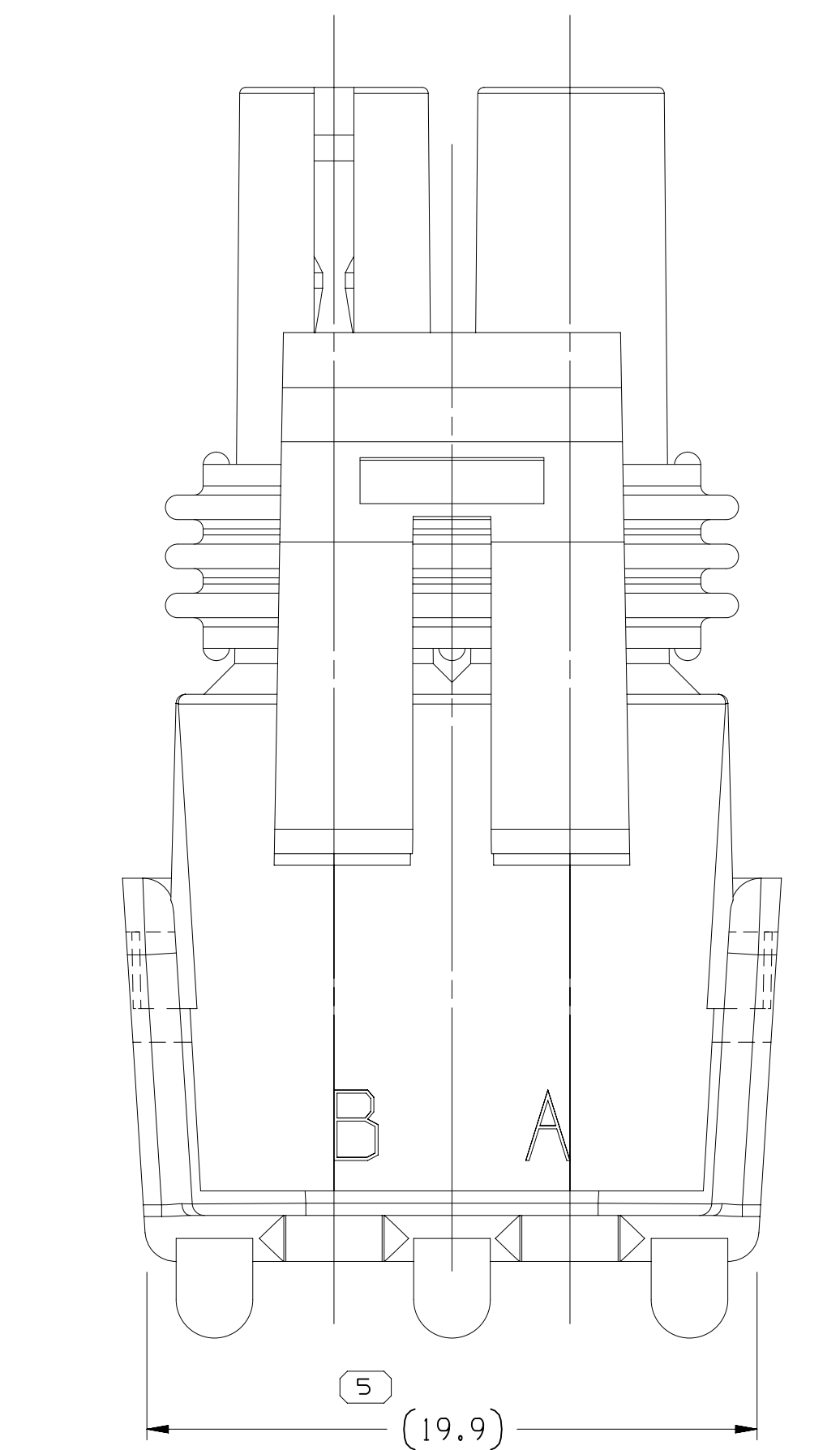
SEALING RIBS MUST BE
FREE OF DEFECTS

2X ϕ 6.15



INDEX CODE
-21-

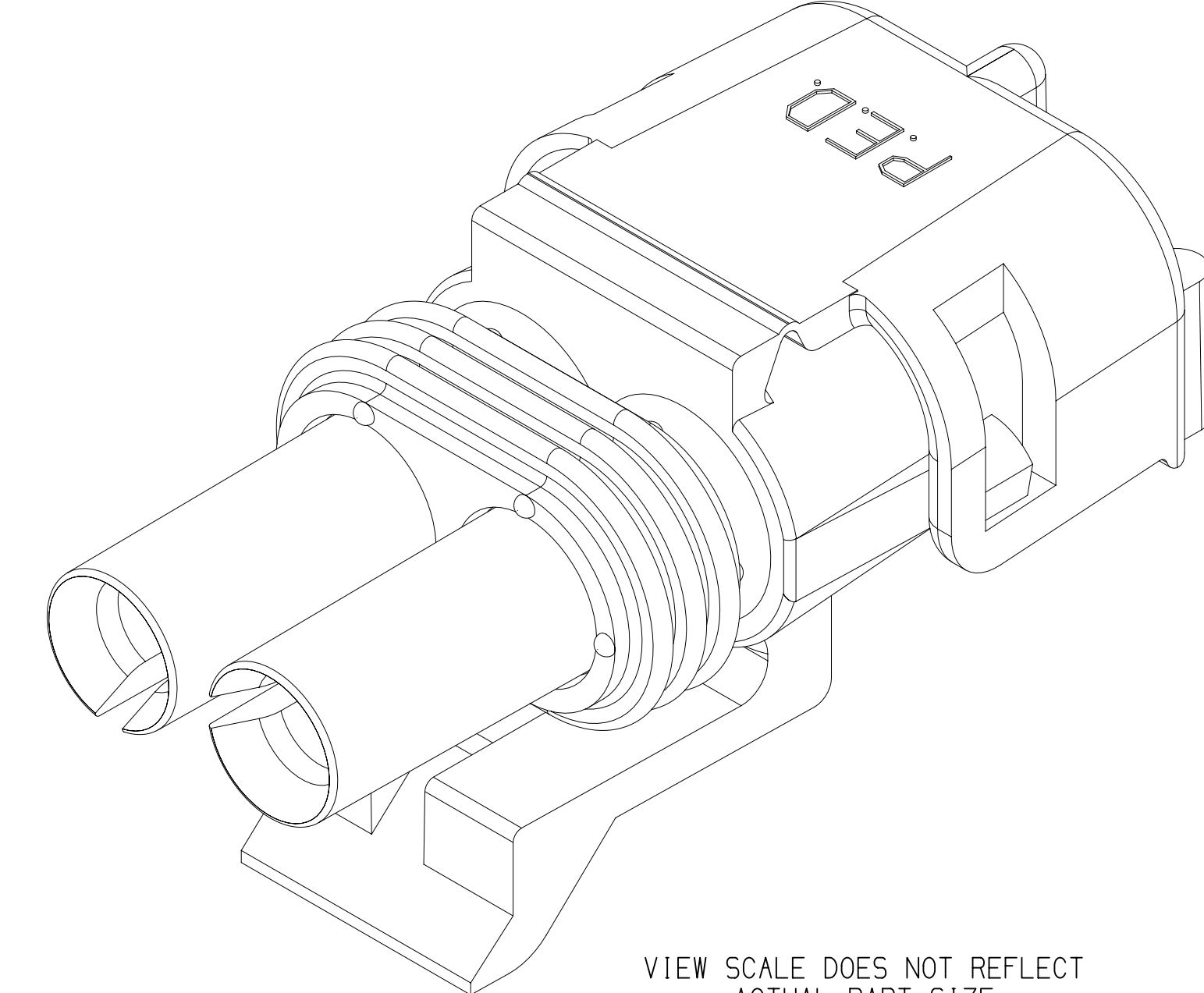
TYPE 101



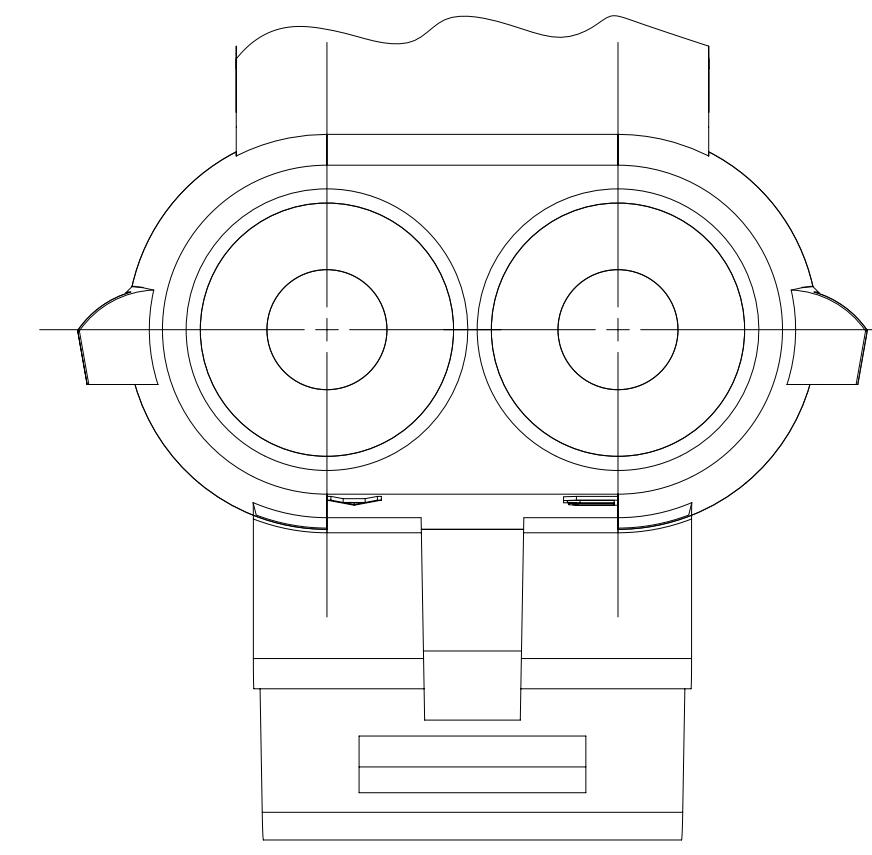
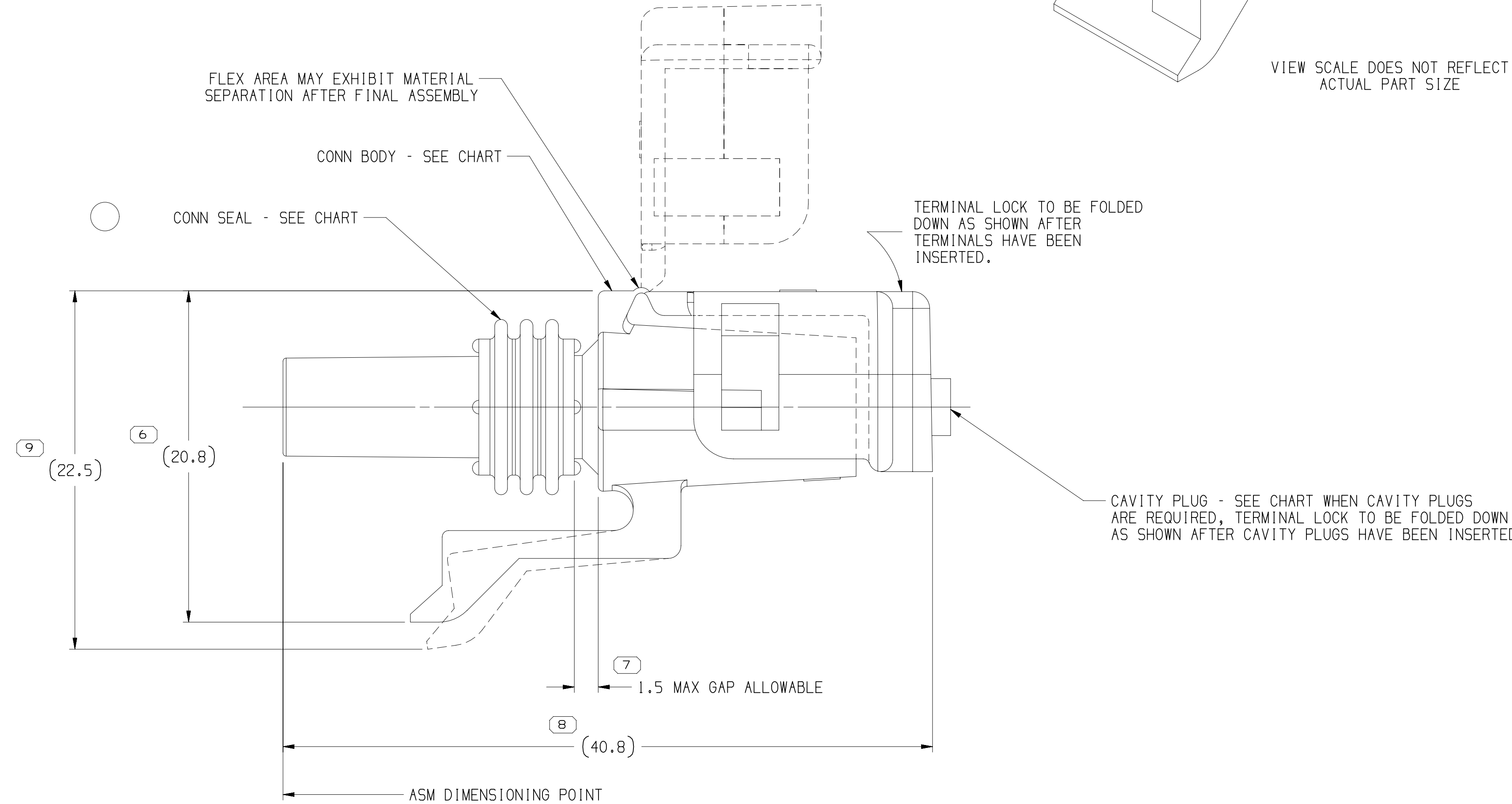
5
(19.9)

SYMBOL DEFINITION		TOTAL NO OF INSPECTIONS REQUIRED		MISSING SYMBOLS	
A	DIMENSION WITHOUT AN INSPECTION REPORT SYMBOL DOES NOT REQUIRE INSPECTION. IT MAY BE CONTROLLED ON THE INDIVIDUAL COMPONENT DRAWING.	10		NO MISSING SYMBOL NUMBER	
		9			

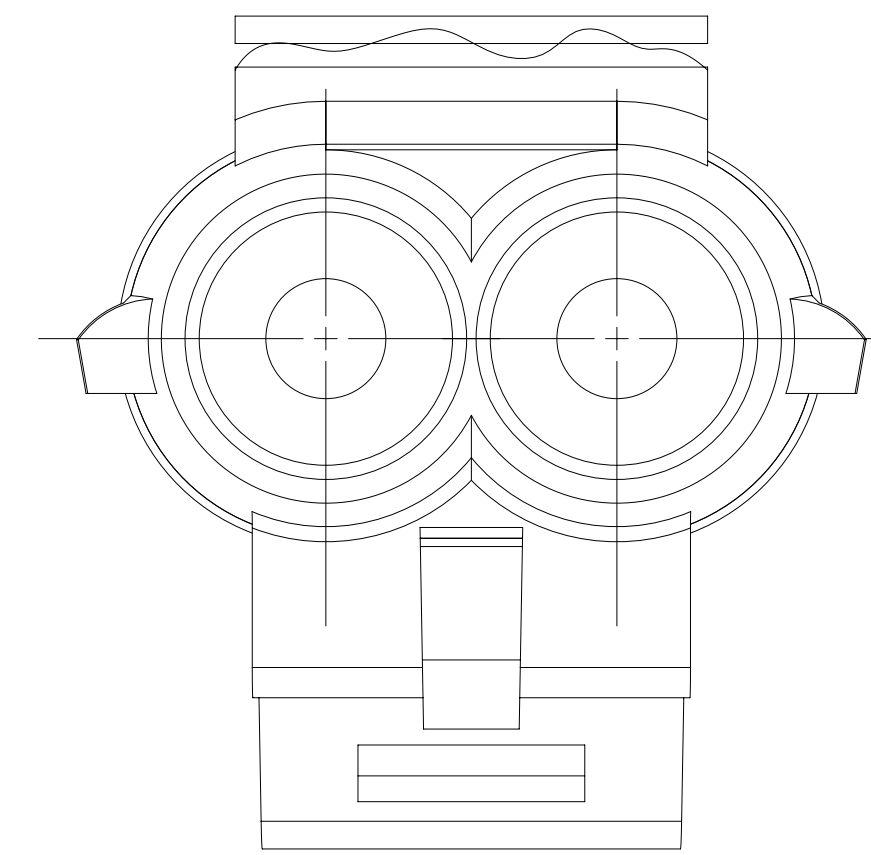
DWG STATUS		ZONE		REVISION HISTORY		AUTH		DR		APVD	
DATE	STG	REV	N/P	CHG							
11DE01	R	07	-	-		CLEARED REVISION COLUMN AND ALL PARTS - REDRAWN TO PD		218242	AMG	AMG	RC
26JL06	R	08	-	-		12103584 - UPDATED PDM ATTRIBUTES		283016	JBD	AUG	EJH
04DE19	R	09	-	-		35417674 & 75 - RELEASED; ALL ACTIVE PARTS - ADDED "APPLICATION DRAWING" NOTE		550630	AGC	AGC	VRG



VIEW SCALE DOES NOT REFLECT
ACTUAL PART SIZE



STANDARD
CONSTRUCTION



OPTIONAL
CONSTRUCTION

CABLE END VIEW OF CONN BODY

NOTES

- UNLESS OTHERWISE SPECIFIED AND/OR INDICATED: DIMENSIONS ARE TO FACE OF VIEW SHOWN AND AUTOMATICALLY ROUNDED BY COMPUTER FOR INSPECTION (SEE MATH MODEL FOR PRECISE DIMENSIONS). FOR ALL OTHER DIMENSIONS NOT SHOWN BUT REQUIRED FOR TOOL BUILD, SEE MATH MODEL FOR PRECISE TOOL PATH DATA.
- USE FEMALE TERMINAL 12089188 OR EQUIVALENT FOR "IN-LINE" APPLICATIONS. USE MALE TERMINAL 12089040 OR EQUIVALENT FOR "PANEL MOUNT" APPLICATIONS.
- USE CABLE SEAL 12015323 OR EQUIVALENT.
- WHEN PARTS ARE SHIPPED, THEY MUST PACKED IN PLASTIC BAGS OR SHIPPING CONTAINERS MUST BE LINED WITH PLASTIC LINERS. BAGS OR LINERS MUST BE SEALED TO AVOID ENTRY OF FOREIGN MATTER.
- SEALING CODE 3 - DESIGN WILL PASS SALT FOG AND IMMERSION TEST AFTER CONDITIONING AS SPECIFIED IN ESA-644 (WEATHER-PACK), ESA-710 (METRI-PACK), (WORLD CONNECTOR), ETC WHEN MATED TO MATING PART OR EQUIVALENT
- WHEN DESIGNING A PART TO MATE TO THIS WEATHER PACK CONNECTOR, REQUEST THE LATEST COPY OF DRAWING NUMBER 12020084 FROM THE PACKARD ELECTRIC DIVISION.
- FOR APPLICATION DATA SEE THE INDIVIDUAL APPLICATION DRAWINGS.

(N/A) PROCESS SENSITIVE DIMENSION	
DIMENSIONAL RANGE (MM)	CHART ET
FROM > 0	> 30
TO > 20	> 70
> 30	> 100
> 70	> 150
> 100	> 200
> 150	> 250
> 200	> 300
> 250	> 400
TOLERANCE UNLESS OTHERWISE SPECIFIED	
±0.15 ±0.2 ±0.3 ±0.4 ±0.5 ±0.6 ±0.8 ±1 ±1.2	
ANGULAR TOLERANCE ±2°	

A LINE DRAWN THROUGH A PART NUMBER INDICATES THAT PHYSICAL PARTS ARE NOT AVAILABLE FOR ORDERING.	
PART NUMBERS THAT DO NOT HAVE A LINE PRESENT INDICATE THAT PHYSICAL PARTS ARE AVAILABLE FOR ORDERING.	
CONTACT APTIV SALES TO ASSURE AVAILABILITY	
DWG TYPE	PART DRAWING
STYLE	D
VOLUME (OPT)	DISTR CODE
UNLESS OTHERWISE SPECIFIED	
THIS DOCUMENT IS IN ACCORDANCE WITH ASME Y14.5M-1994 AS MODIFIED BY THE 0M GLOBAL DIMENSIONING AND TOLERANCING ADDENDUM - 1997. ALL GEOMETRIC TOLERANCES AND RELATED SYMBOLS APPLY PER ASME Y14.5M-1994 UNLESS OTHERWISE SPECIFIED BY ORIENTATION OR LOCATION TOLERANCES. SEPARATE POSITION CALLOUTS MAY BE GAGED SEPARATELY, REGARDLESS OF DATUM REFERENCE.	
ALL DIMENSIONS ARE IN MILLIMETERS	
REFERENCE	12015792
THIRD ANGLE PROJECTION	DO NOT SCALE
USE MATH DATA	

• APTIV •	
CONNECTION SYSTEMS	
WARREN, OH	
COPYRIGHT 1984 APTIV. ALL RIGHTS RESERVED.	
THIS DRAWING IS THE PROPERTY OF APTIV AND CONTAINS APTIV CONFIDENTIAL INFORMATION. THE REPRODUCTION, DISTRIBUTION AND UTILIZATION OF THIS DOCUMENT OR ITS RELATED CAD DATA, AS WELL AS COMMUNICATION OF ANY CONTENT TO OTHERS, WITHOUT EXPRESS AUTHORIZATION, IS PROHIBITED.	
DR	DATE
APVD1 D. BORKOSKY	14FEB4
APVD2 J. CAPITO	21FEB4
APVD3 D. SOVACOOL	06MRG4
APVD4	
APVD5	
SUBSTANCES OF CONCERN AND RECYCLED CONTENT PER APTIV 10949001	
DRAWING NAME	
TAXI ASM CONN W/P TWR SLD	
DRAWING NUMBER	
12047691	
SIZE	SCALE
A0	5:1
FRAME NO	SHEET NO
1	1 OF 1
REV	REV
09	09

PART NO	REV	N/P	CONN BODY	SEAL CONN	STANDARD DESCRIPTION	APPLICATION	REF: TERMINAL/GENDER	TYPE	CAVITY PLUGS	MATING PART
35417675	01	-	35417673	12010155	ASM CONN 2 F W/P TWR	IN-LINE	12089188/FEMALE	104	-	12010973
35417674	01	-	35417672	12010155	ASM CONN 2 M W/P TWR	DEVICE	12089040/MALE	105	-	DEVICE
12103584	A4	-	12103583	12010155	ASM CONN 2M W/P TWR	DEVICE	12089040/MALE	101	-	DEVICE
12047672	A4	-	12015782	12010155	ASM CONN 2 W/P TWR	BLOCK-OFF	NONE	101	12010300-2 PLCS FOLD COVER	12010973
12045898	A4	-	12047690	12010155	ASM CONN 2F W/P TWR	IN-LINE	12089188/FEMALE	101	-	12146103
12020778	A	-	12020777	12010155	ASM CONN 2M W/P TWR	DEVICE	12089040/MALE	102	-	DEVICE
12015792	A4	-	12015782	12010155	ASM CONN 2F W/P TWR	IN-LINE	12089188/FEMALE	101	-	12010973

Mouser Electronics

Authorized Distributor

Click to View Pricing, Inventory, Delivery & Lifecycle Information:

[Aptiv:](#)

[12015792](#)