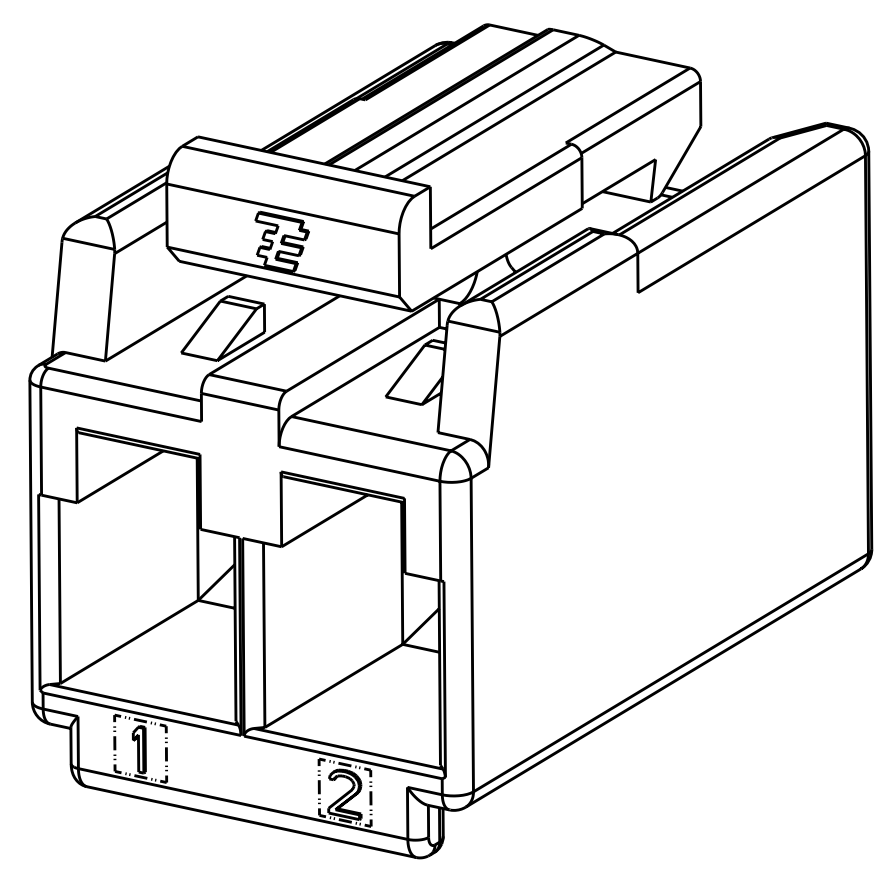
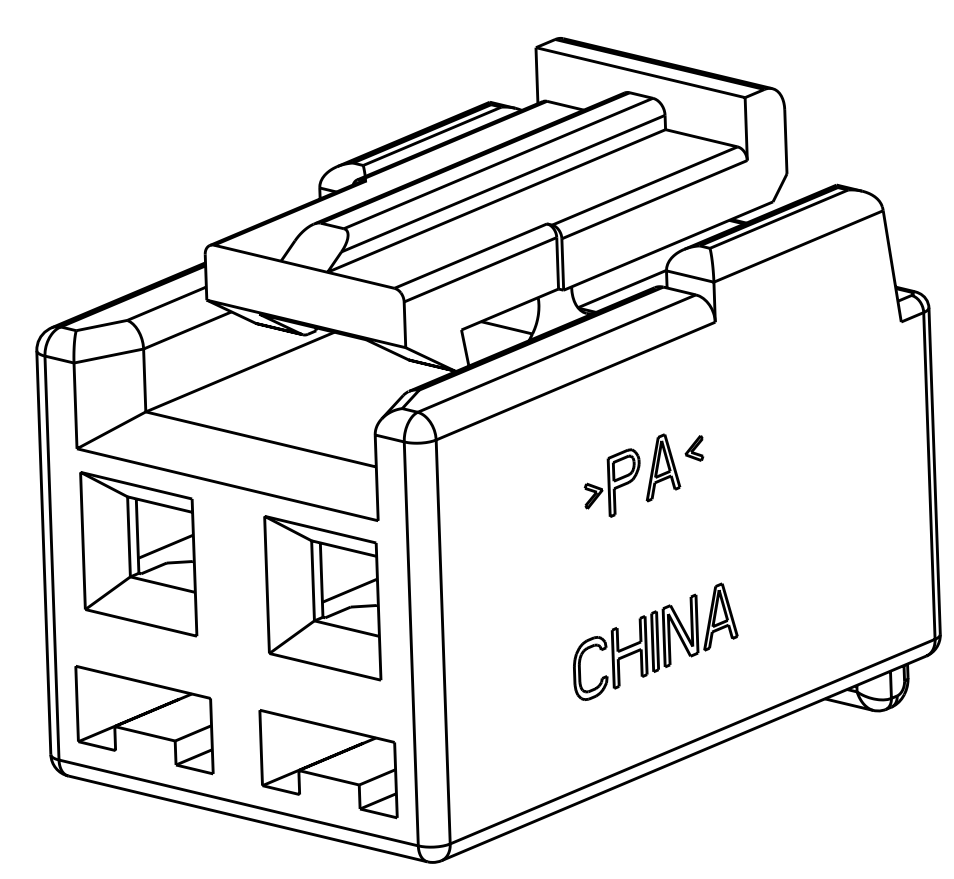


LOC	DIST	REVISIONS			
P	LTR	DESCRIPTION	DATE	OWN	APVD
GP	00	A	RELEASED PER ECR 10-022879	17NOV10	JR SM

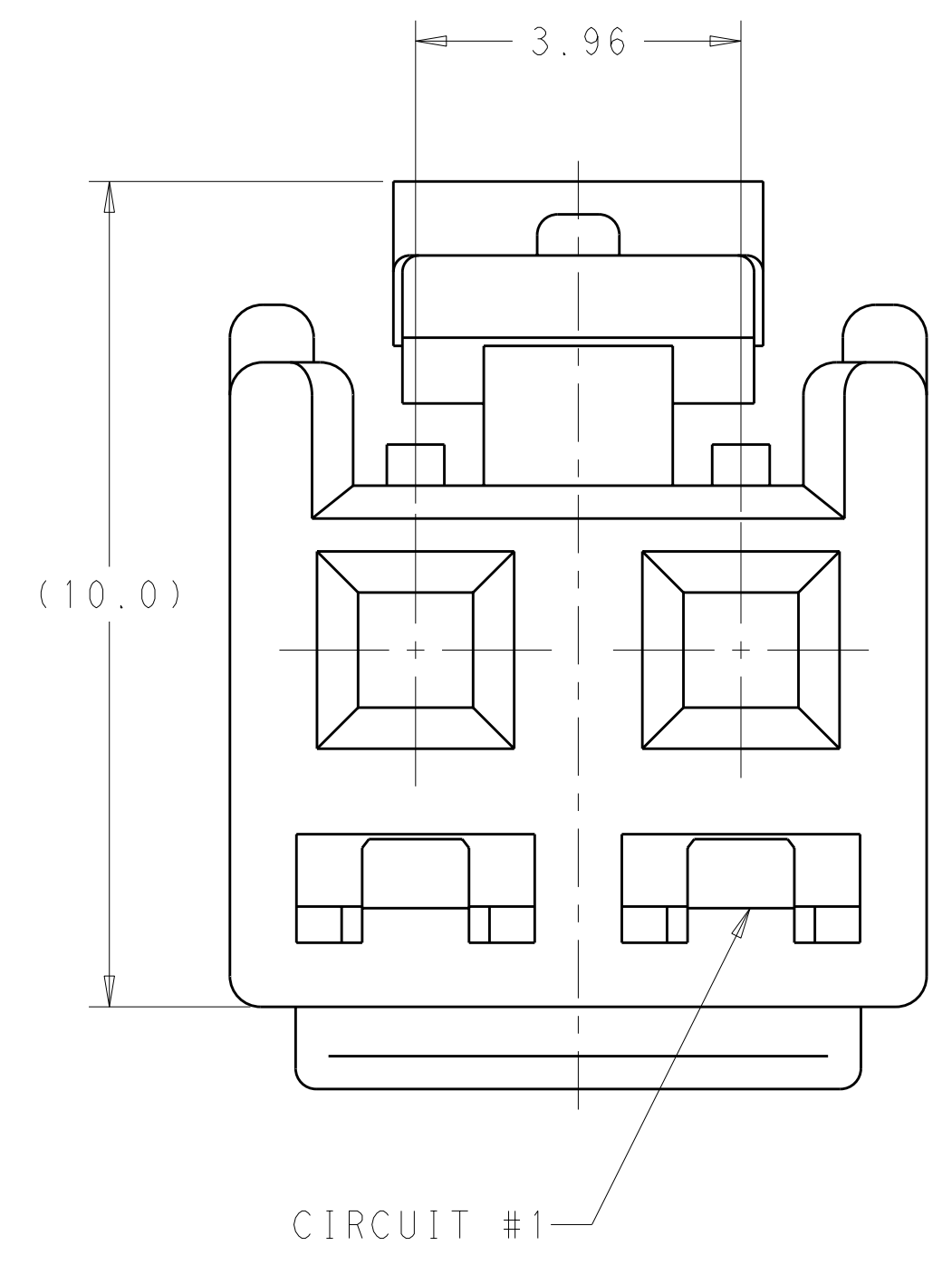
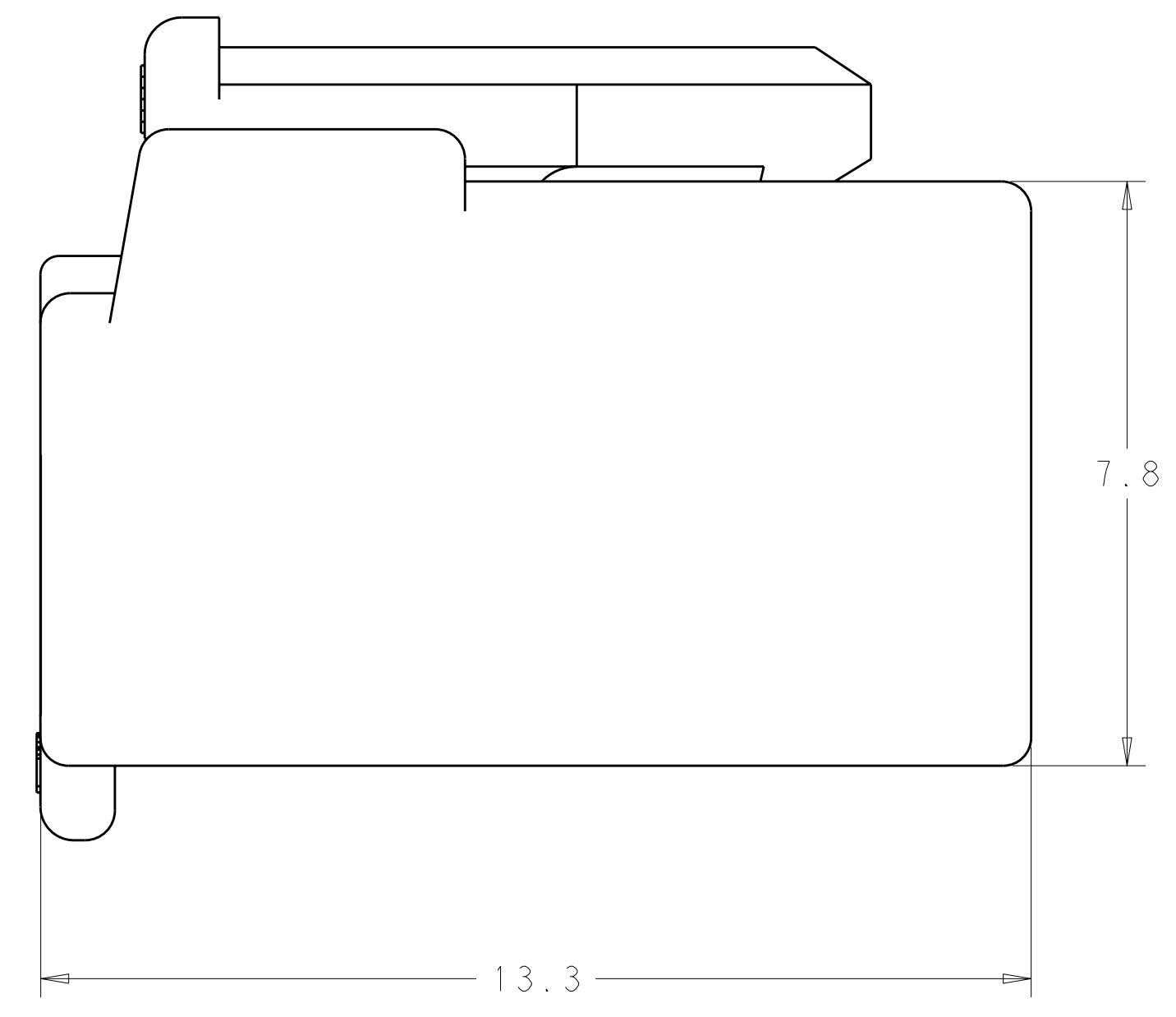
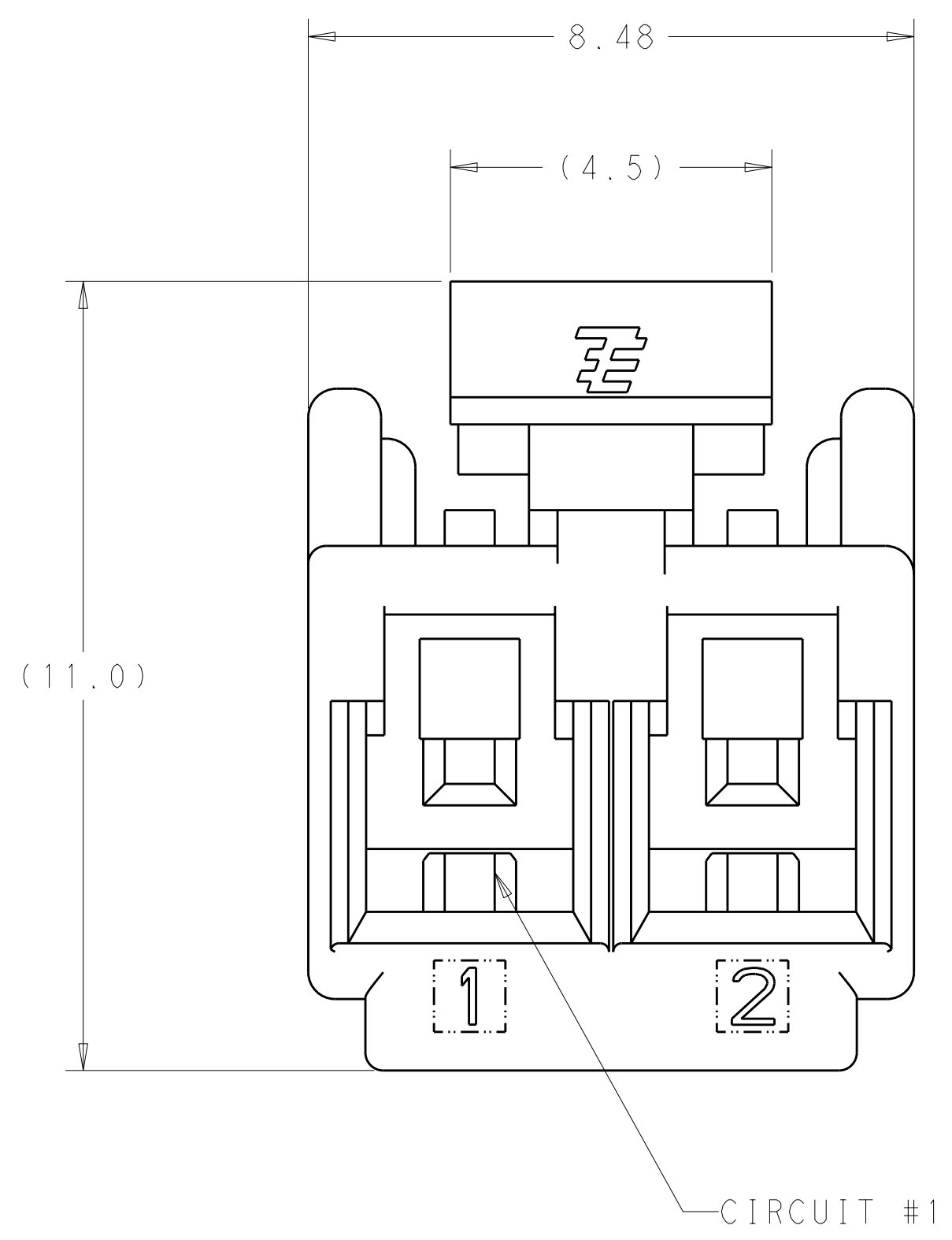


ISOMETRIC REAR VIEW



ISOMETRIC MATING FACE VIEW

- ⚠ MATERIAL: NYLON, UL94V-0 FLAME RETARDENT, COLOR: NATURAL
- 2. HOUSING TO USE "BREAKWAY RETAINER", P/N: 1-2132782-2 (12 POSN), 12 POSITION PART TO BE SEPARATED AT APPROPRIATE NOTCHES TO FIT 2 POSITION HOUSING.



2132813-2
PART NUMBER

DIMENSIONS: mm 		TOLERANCES UNLESS OTHERWISE SPECIFIED: 0 PLC ±.4 1 PLC ±0.4 2 PLC ±0.25 3 PLC ±0.127 4 PLC ±.4 ANGLES ±.5 FINISH -		DWN G. PETERS 09FEB2010 CHK E. HOWARD 09FEB2010 APVD S. FLICKINGER 09FEB2010 PRODUCT SPEC - APPLICATION SPEC - WEIGHT - CUSTOMER DRAWING		Tyco Electronics Corporation Harrisburg, PA 17105-3608 NAME RECEPTACLE HOUSING, ECONOMY POWER II, 3.96 CENTERLINE W/RETAINING FEATURES SIZE CAGE CODE DRAWING NO RESTRICTED TO A100779C=2132813 SCALE 1:1 SHEET 1 OF 1 REV A	
-----------------------	--	-----------------------------------------------------------------------------------------------------------------------------------------	--	------------------------------------------------------------------------------------------------------------------------------------------------------------	--	---------------------------------------------------------------------------------------------------------------------------------------------------------------------------------------------------------------------------------------------	--