

PART NUMBER	ENG. NUMBER	MATERIAL (SEE NOTE 1)
39-01-3028	5557-02R1-210	94V-0
39-01-3048	5557-04R1-210	94V-0
36-01-3022	5557-02R1	94V-2
39-01-3042	5557-04-R1	94V-2
39-01-6026	5557-02R1-BL	94V-2, BLACK
NO E.D.P	5557-04R1-BL	94V-2, BLACK

LEGEND:

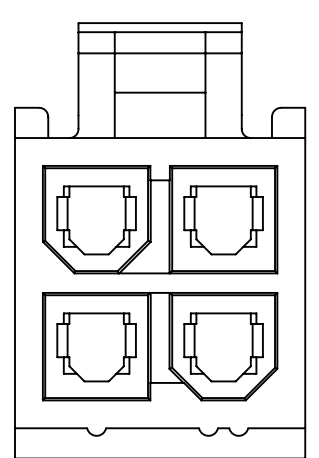
5557 - ** R1- ***

BASE NUMBER

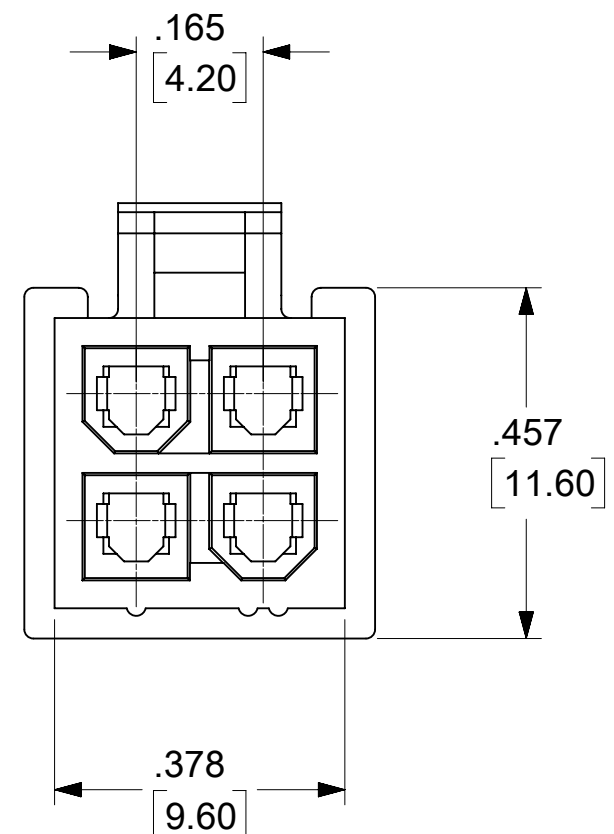
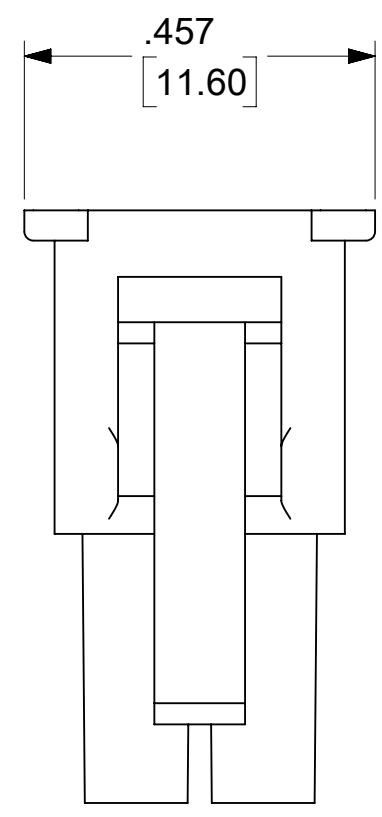
CKT. SIZE

RECEPTACLE
(WITH SIDE PULL TABS)

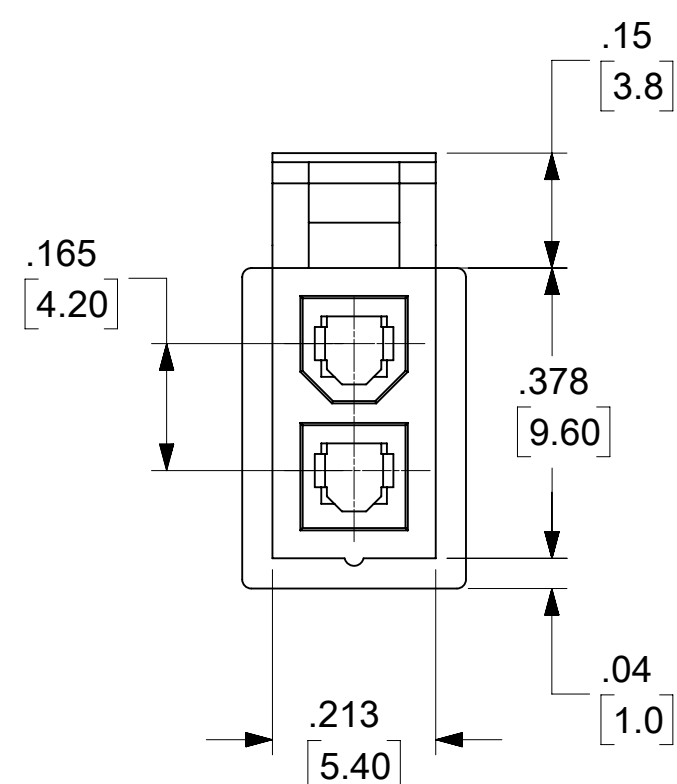
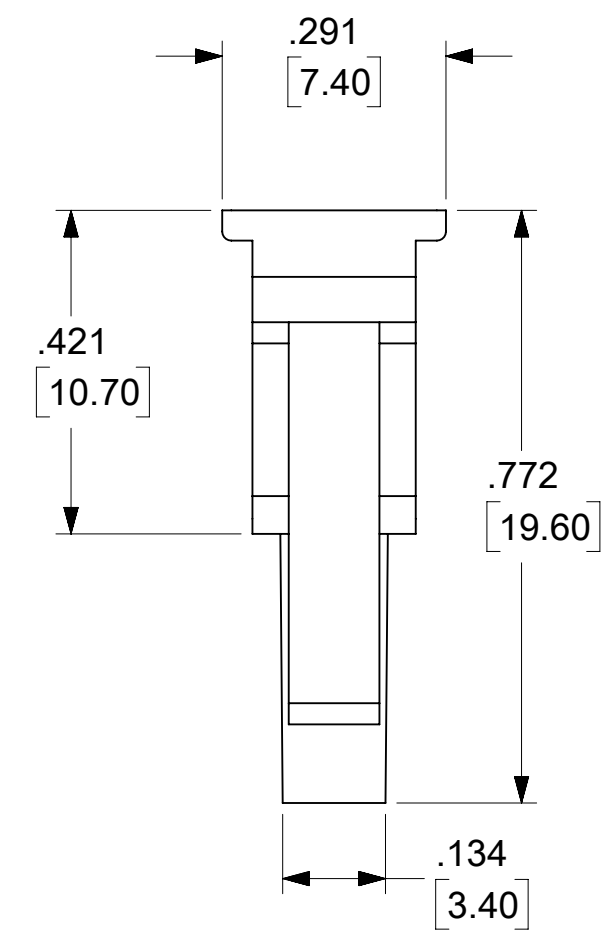
MATERIAL OPTION:
(SEE NOTE 1)



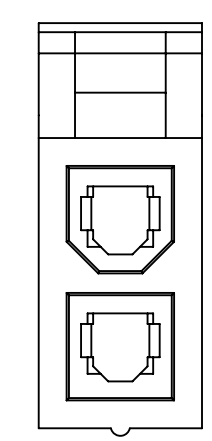
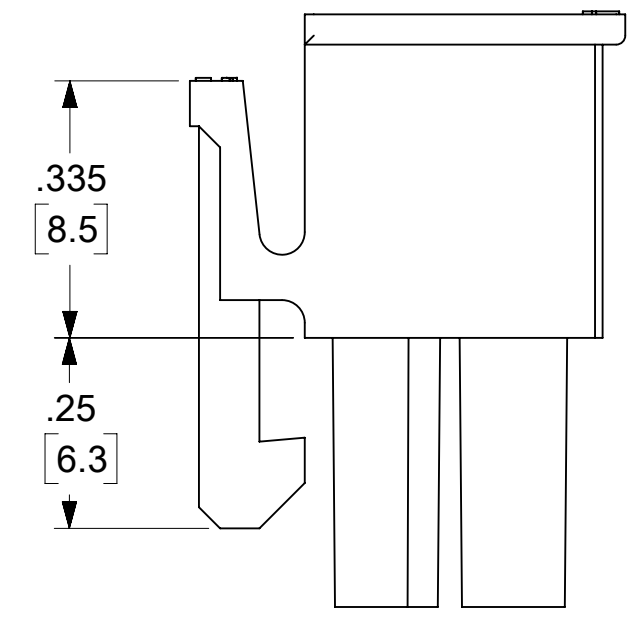
5557 - 04R - **
(WITHOUT SIDE PULL TABS)
(SHOWN FOR REFERENCE ONLY)



5557 - 04R1 - **



5557 - 02R1 - **



5557 - 02R - **
(WITHOUT SIDE PULL TABS)
(SHOWN FOR REFERENCE ONLY)

- NOTE:**
- MATERIAL:
"BLANK"= NYLON 6/6, U.L. 94V-2. COLOR : NATURAL.
"210"= NYLON 6/6, U.L. 94V-0. COLOR:NATURAL.
"BL"= NYLON 6/6, U.L. 94V-2.COLOR:BLACK.
 - FINISH: NOT APPLICABLE.
 - PRODUCT SPECIFICATION : PS-5556-001.
 - PARTS TO BE PACKAGED PER PK-5557-002.
 - PART MATES WITH MOLEX PLUG #5559 AND 172762-0***.
 - PART IS FOR USE WITH MOLEX FEMALE TERMINAL #5556, #45750.
 - PART IS NOT DESIGNATED FOR CURRENT SHARING.
 - CONNECTORS ARE NOT TO BE MATED OR UNMATED WHILE CIRCUITS ARE LIVE.
 - WIRES ARE TO BE DRESSED IN SUCH A MANNER TO ALLOW THE TERMINALS TO FLOAT FREELY IN THE POCKET.
 - PART CONFORMS TO CLASS "B" REQUIREMENTS OF COSMETIC SPECIFICATION PS-45499-002.
 - BUBBLE IS ACCEPTABLE ON LATCH AREA.

THIS DRAWING REPLACES DRAWING SD-5557-**R1-*

THIS DRAWING CONTAINS INFORMATION THAT IS PROPRIETARY TO MOLEX ELECTRONIC TECHNOLOGIES, LLC AND SHOULD NOT BE USED WITHOUT WRITTEN PERMISSION											
DIMENSION UNITS		SCALE		CURRENT REV DESC: RE-MASTRED THE DRAWING USING THE MODEL 55570210 AND 55570410						molex	
IN/MM		NTS									
GENERAL TOLERANCES (UNLESS SPECIFIED)				EC NO: 778837		2024/02/01		2 & 4 CKT RECEPTACLE, MINI-FIT JR. SERIES WITH SIDE TABS			
				DRWN: LIKITV		2024/03/04					
4 PLACES ±				CHK'D: XQZHANG		2024/03/04		PRODUCT CUSTOMER DRAWING			
3 PLACES ± ± 0.015				APPR: XQZHANG		2024/03/04					
2 PLACES ± 0.38 ± 0.015				INITIAL REVISION:				DOCUMENT NUMBER: 55570001-SD			
1 PLACE ± 0.38 ±				DRWN: GEP		1990/08/08					
0 PLACES ±				APPR: FSMITH		2012/05/04		REVISION: A3			
ANGULAR TOL ± 0.5 °				THIRD ANGLE PROJECTION		DRAWING		SERIES		SHEET NUMBER	
DRAFT WHERE APPLICABLE MUST REMAIN WITHIN DIMENSIONS				C-SIZE		5557		MATERIAL NUMBER: SEE CHART		CUSTOMER: GENERAL MARKET	